

# SHIRTS



The process of shirt-making requires precision and experience. Every detail on the shirt from the sleeve, collar and cuffs, as well as the button holes and embroidery use hand cut processes to ensure quality and precision of fit.

An extensive range of collars, cuffs, fabrics and pleats provides unlimited opportunities to create an individual style.

---

<i>Page 1</i>	Shirt Sleeve Styles
<i>Page 2</i>	Shirt Fit Styles
<i>Page 3</i>	Back Style Options
<i>Page 3</i>	Epaulettes & Sleeve Straps
<i>Page 4</i>	Shirt Hem Styles
<i>Page 5 — 6</i>	Collar Style Options
<i>Page 7 — 9</i>	Cuff Style Options
<i>Page 9 — 10</i>	Number of Pockets & Style Options
<i>Page 11</i>	Front Style Options
<i>Page 12</i>	Dress Shirt Front Style Options
<i>Page 13</i>	Button Hole & Button Thread Colours
<i>Page 14</i>	Embroidery Colour Options
<i>Page 15</i>	Embroidery Style & Positioning Options
<i>Page 16</i>	Contrast Fabric Positions
<i>Page 17 — 19</i>	How to Measure



Long Sleeve



Short Sleeve



---

Regular Fit

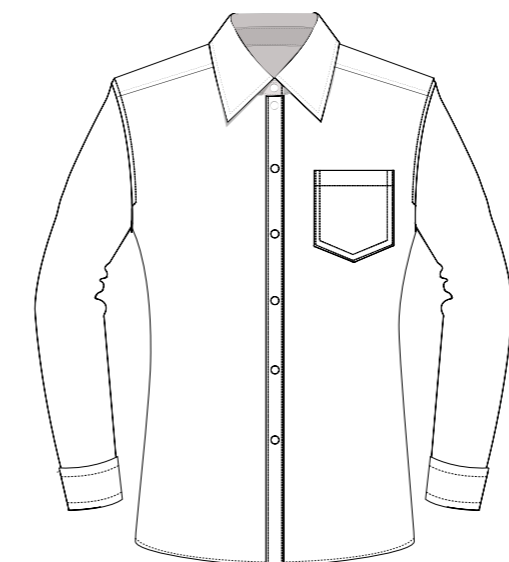
+12cm chest  
*Body Measurements*



---

Slim Fit

+11cm chest  
*Body Measurements*



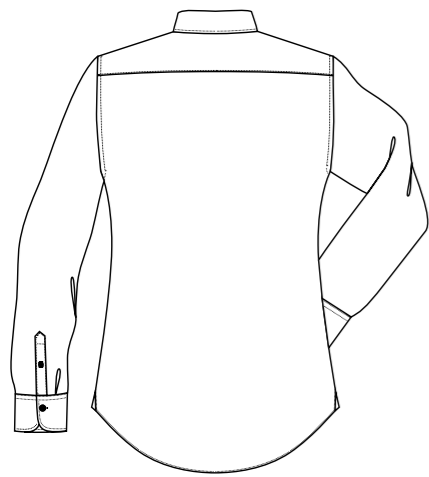
---

Very Slim Fit

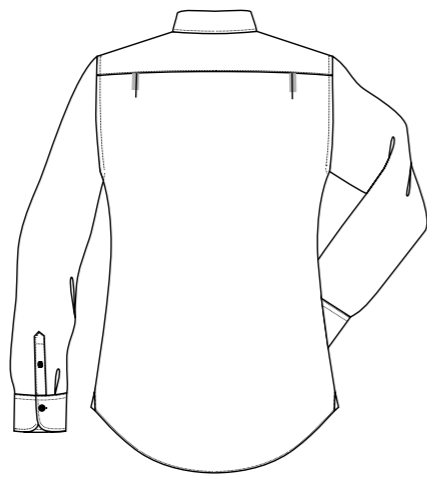
+10cm chest  
*Body Measurements*

## Back Style Options

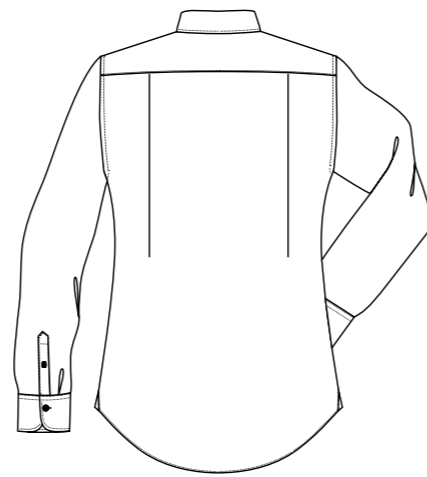
3



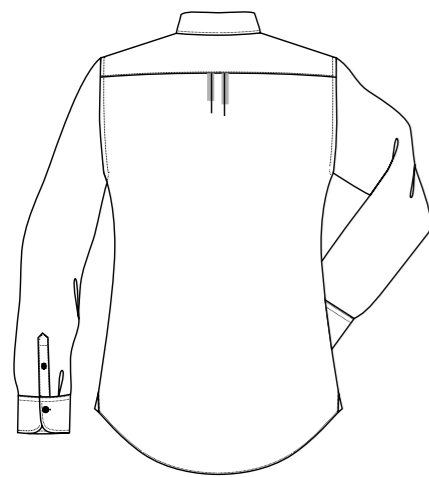
Plain



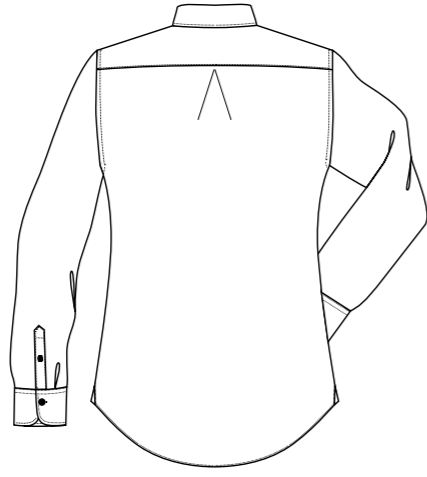
Side



Back Darts



Box

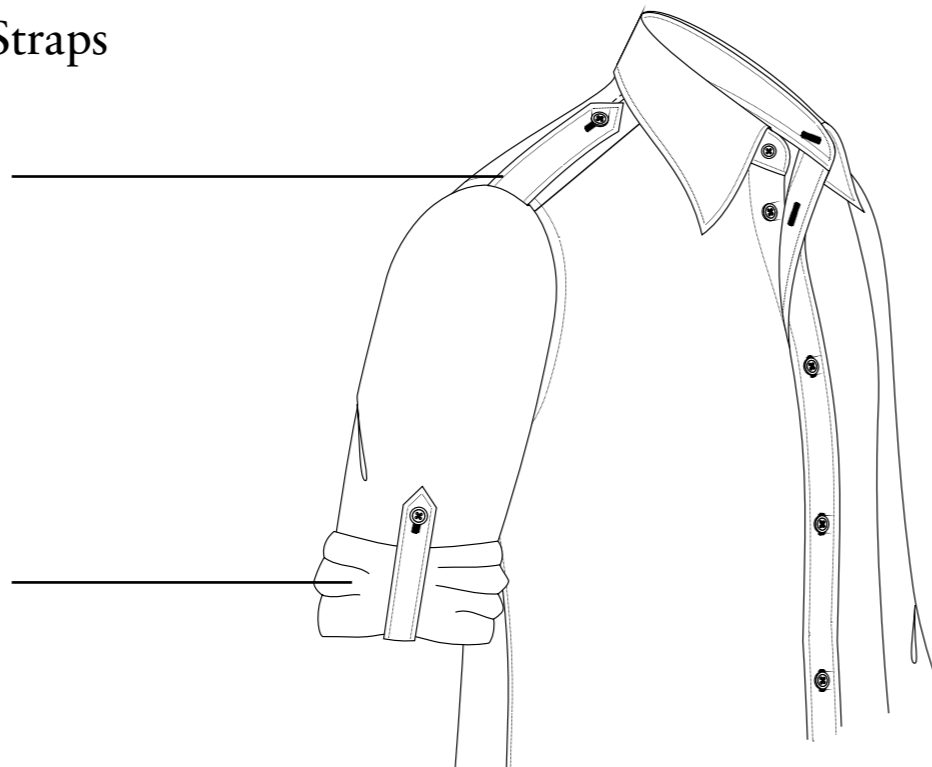


Inverted

## Epaulettes & Sleeve Straps

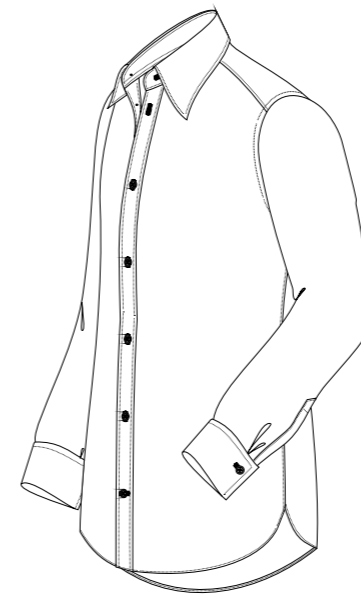
Shoulder Strap

Strap for raising the sleeve



## Shirt Hem Style

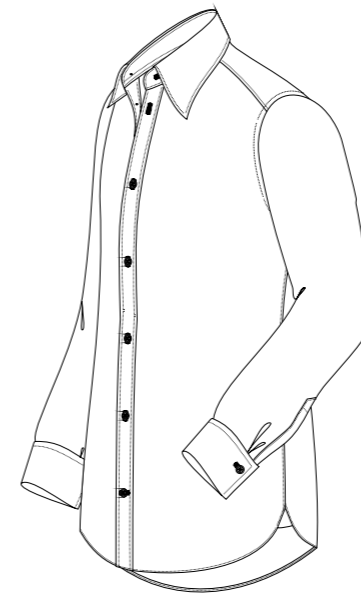
4



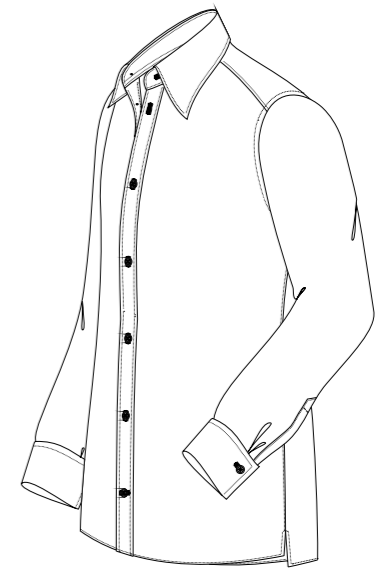
Round Bottom



Straight Bottom



Round Bottom  
*with triangle*



Straight Bottom  
*with vents*

## Collar Style Options

5



French Collar  
YO7

Collar Stand	2.5cm
Collar Point	7cm
Collar Depth	4cm



American Collar  
Y30

Collar Stand	2.7cm
Collar Point	8cm
Collar Depth	4cm



Italian Collar  
Y02

Collar Stand	2.5cm
Collar Point	8cm
Collar Depth	4cm



Neapolitan  
Y26

Collar Stand	3.2cm
Collar Point	9cm
Collar Depth	5cm



Small Round Collar  
Y15

Collar Stand	2.5cm
Collar Point	7cm
Collar Depth	4cm



Small Straight Collar  
Y18

Collar Stand	2.5cm
Collar Point	6.5cm
Collar Depth	3.5cm



Wing Collar

Collar Stand	4cm
Wing	5.5cm



Granddad Collar

Collar Stand	3cm
Collar Depth	3cm



Concealed Button Down

Collar Stand	2.7cm
Collar Point	8cm
Collar Depth	4cm



English Tab Collar  
Y09

Collar Stand	2.5cm
Collar Point	7cm
Collar Depth	4cm



Cut Away Collar  
Y32

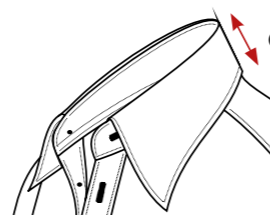
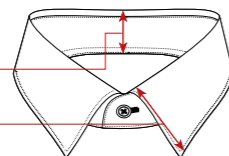
Collar Stand	3.2cm
Collar Point	9cm
Collar Depth	4.5cm

## Collar Elements

Collar Adjustments +/- 2cm's

Collar Stand

Collar Point



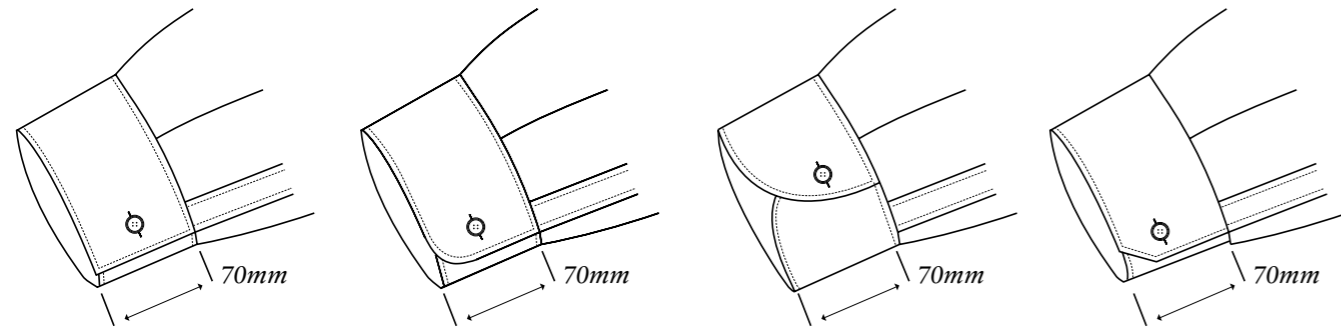
Collar Depth

6

## Long Sleeve Cuff Style Options

7

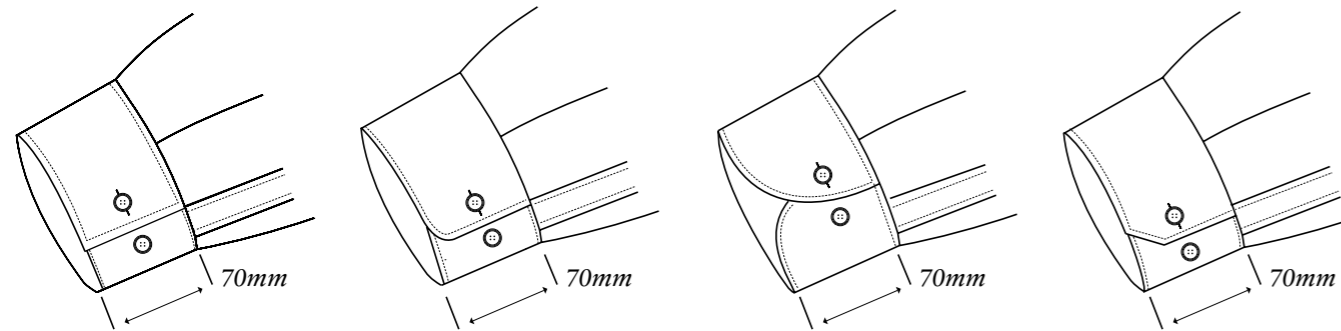
Cuff Adjustments +/- 2cm's



<b>M1</b> Square One Button Fastening	<b>M2</b> Rounded One Button Fastening	<b>M3</b> Highly Rounded One Button Fastening	<b>M4</b> Angled One Button Fastening
---	--	---	---

## Adjustable Button on Cuff

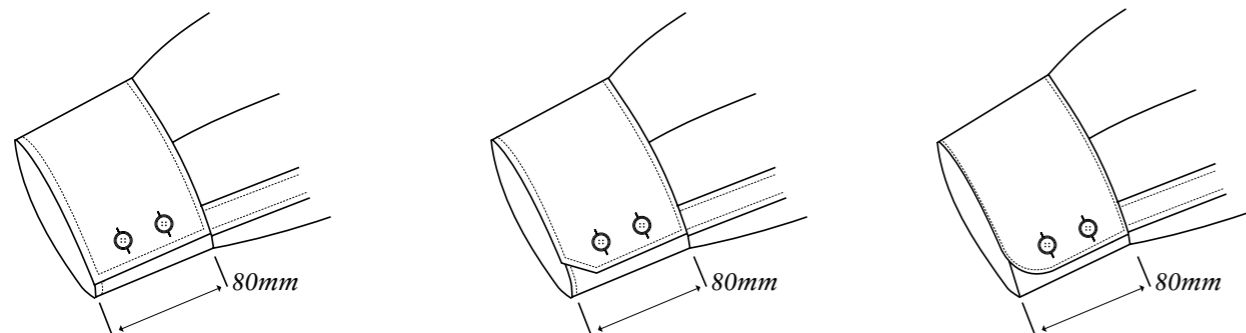
Cuff Adjustments +/- 2cm's



<b>M1A</b> Square Adjustable Button	<b>M2A</b> Rounded Adjustable Button	<b>M3A</b> Highly Rounded Adjustable Button	<b>M4A</b> Angled Adjustable Button
---	--	---	---

## Long Sleeve Cuff Style Options

Cuff Adjustments +/- 2cm's

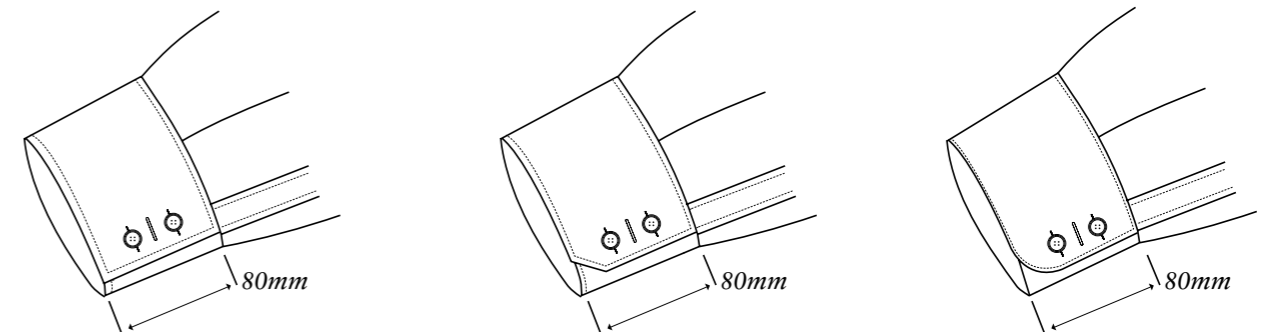


<b>M7</b> Square Two Button Fastening	<b>M8</b> Angled Two Button Fastening	<b>M9</b> Rounded Two Button Fastening
---	---	--

## Two Button with Cufflink Button Hole

8

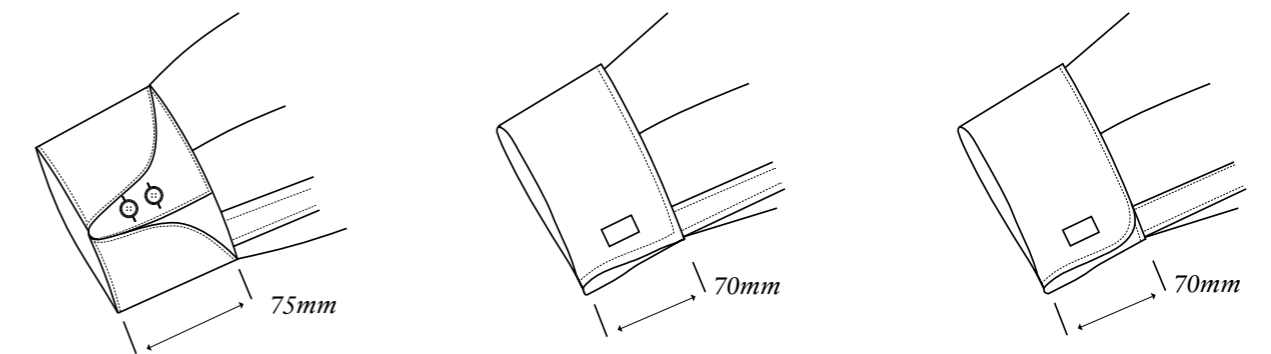
Cuff Adjustments +/- 2cm's



<b>M17</b> Square Two Button with Cufflink Button Hole	<b>M18</b> Angled Two Button with Cufflink Button Hole	<b>M19</b> Rounded Two Button with Cufflink Button Hole
--	--	---

## Double Cuff Style Options

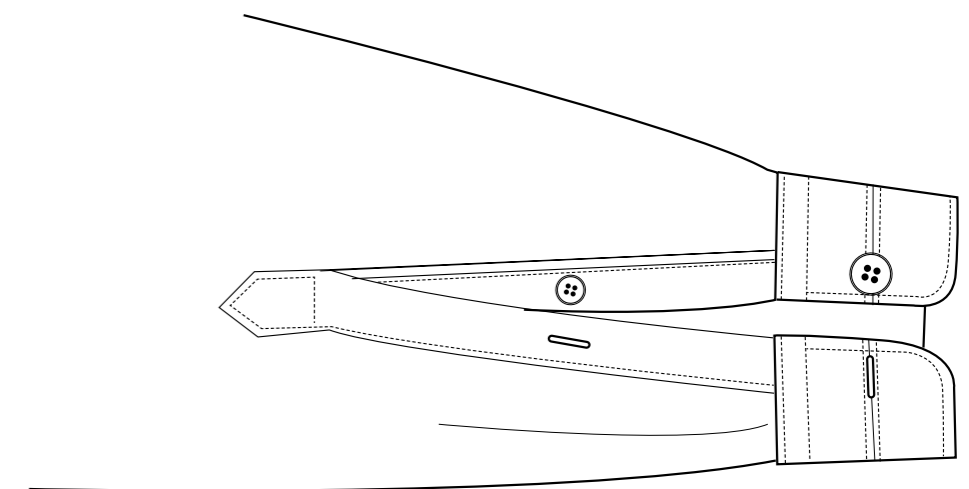
Cuff Adjustments +/- 2cm's



<b>M13</b> Cocktail Cuff	<b>M10</b> Square Double	<b>M11</b> Round Double
-----------------------------	-----------------------------	----------------------------

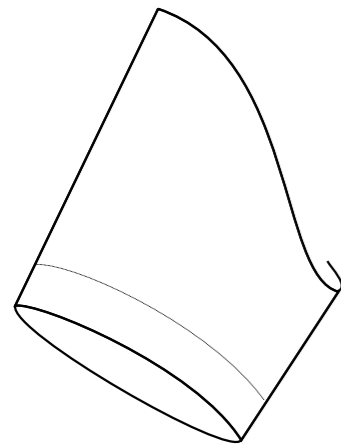
## Sleeve Vent and Button

Option; Cuff vent with no button



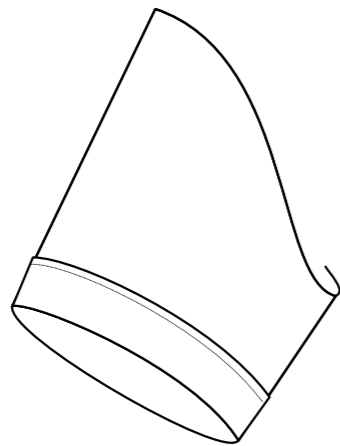
## Short Sleeve Cuff Style Options

9



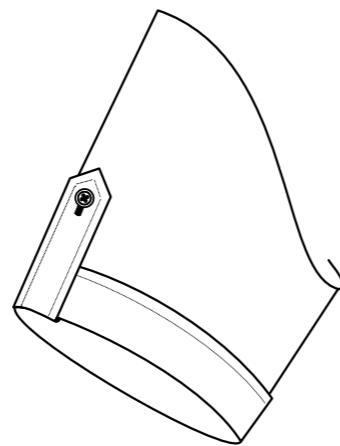
SL01

Plain Sleeve Hem



SL02

Raised Sleeve Hem  
5mm Stitch



SL03

Raised Sleeve Hem  
5mm Top Stitch with Strap / Apolet

## Number of Pockets



Without Pockets



1 Pocket  
Left Side  
(As worn)



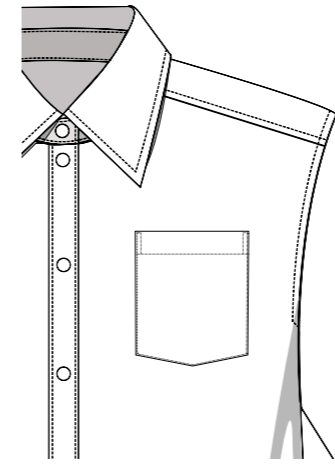
Two Pockets



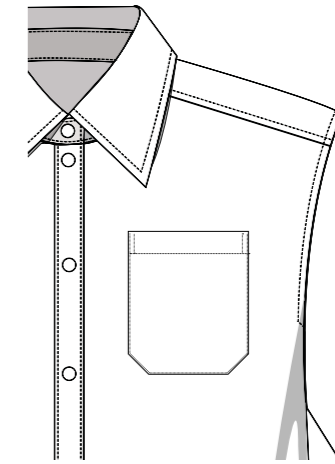
1 Pocket  
Right Side  
(As worn)

## Pocket Style Options

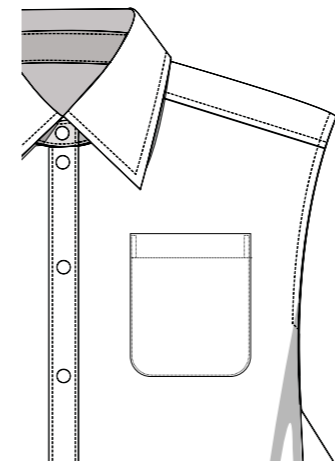
10



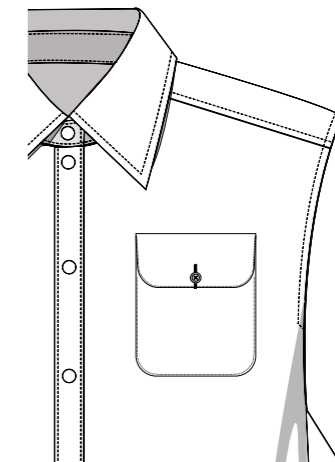
Patch Pocket  
Diamond



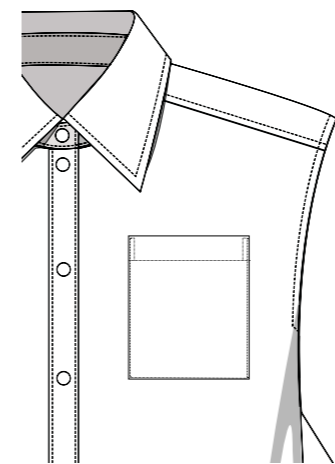
Patch Pocket  
Angled



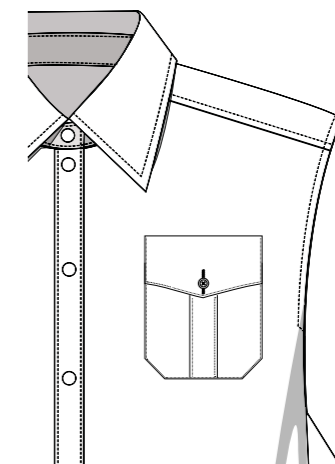
Patch Pocket  
Round



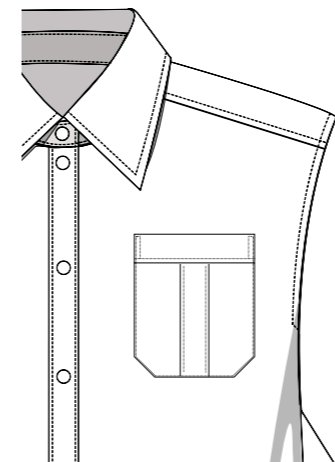
Patch Pocket with Flap



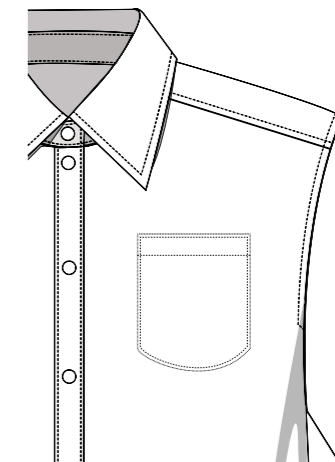
Patch Pocket  
Square



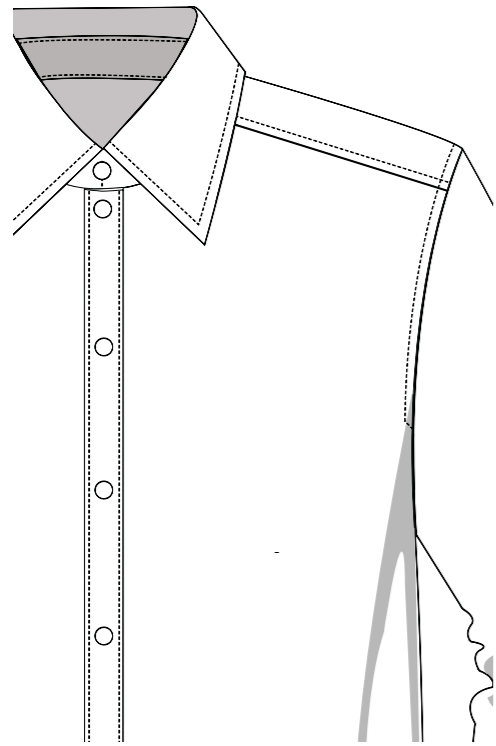
Patch Pocket With  
Middle Pleat and Flap



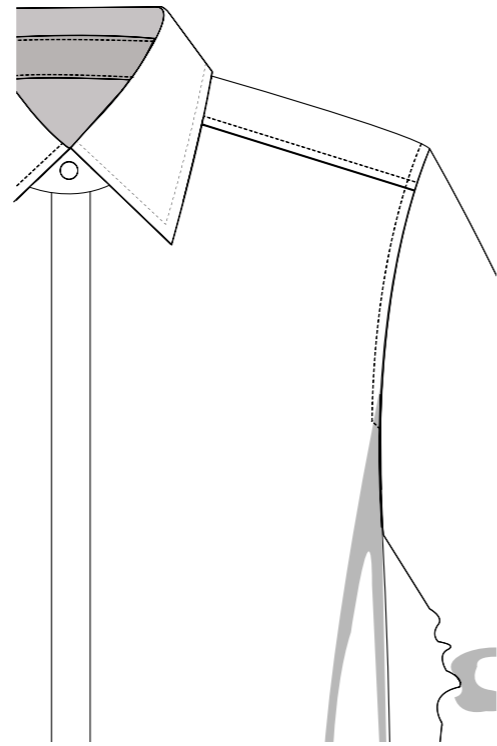
Patch Pocket  
Angled with Middle Pleat



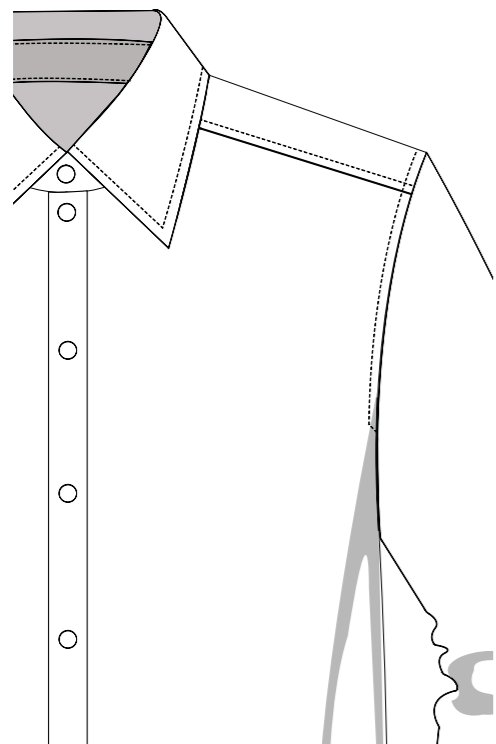
Pocket Cornered



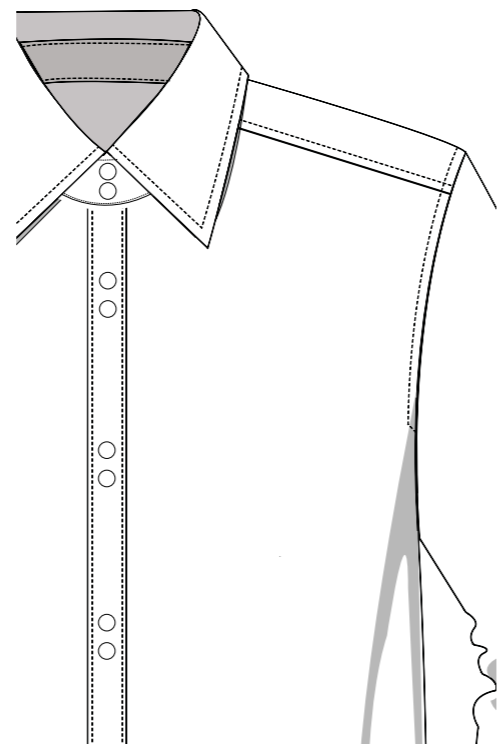
P1  
Raise Placket



P2  
Fly Placket



P3  
Plain Placket



P4  
Raise Placket Double Button Fastening



Tuxedo Pleats



3/4 Quarter Tuxedo Pleats



Marcella Front

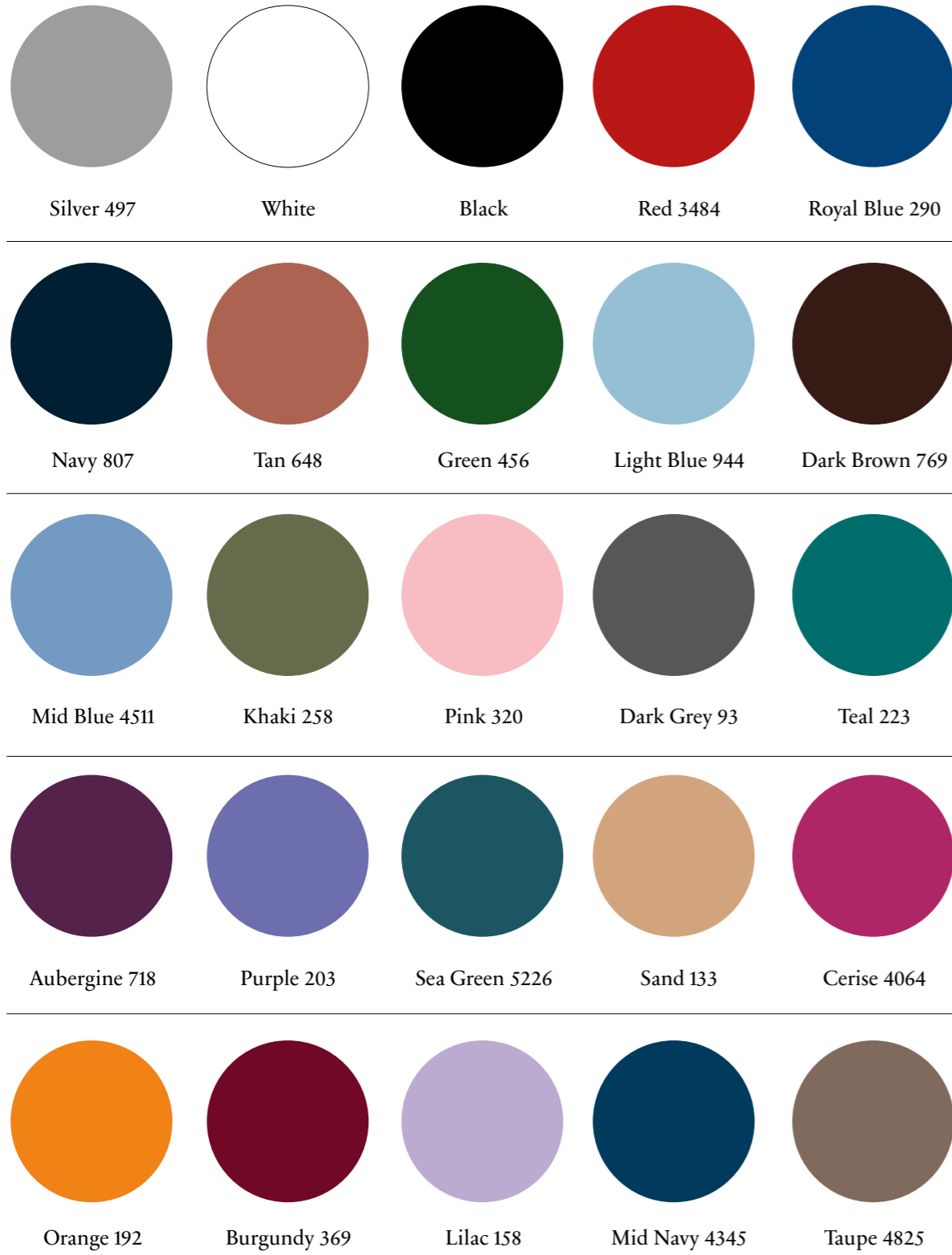


3/4 Quarter Marcella Front



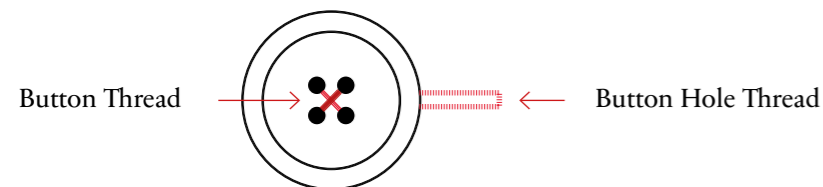
## Button Hole & Button Thread Colour Options

13



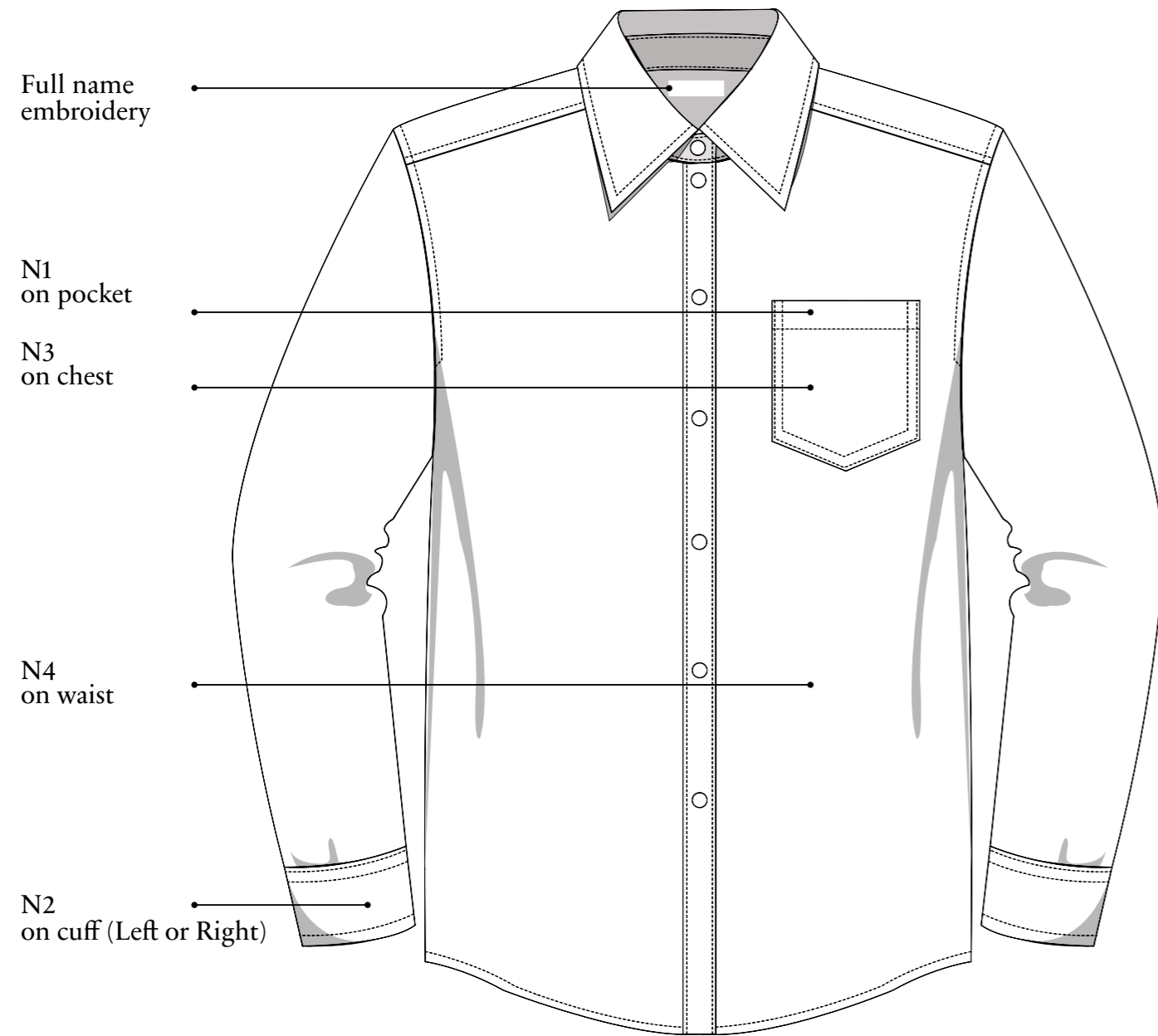
## Embroidery Colour Options

14



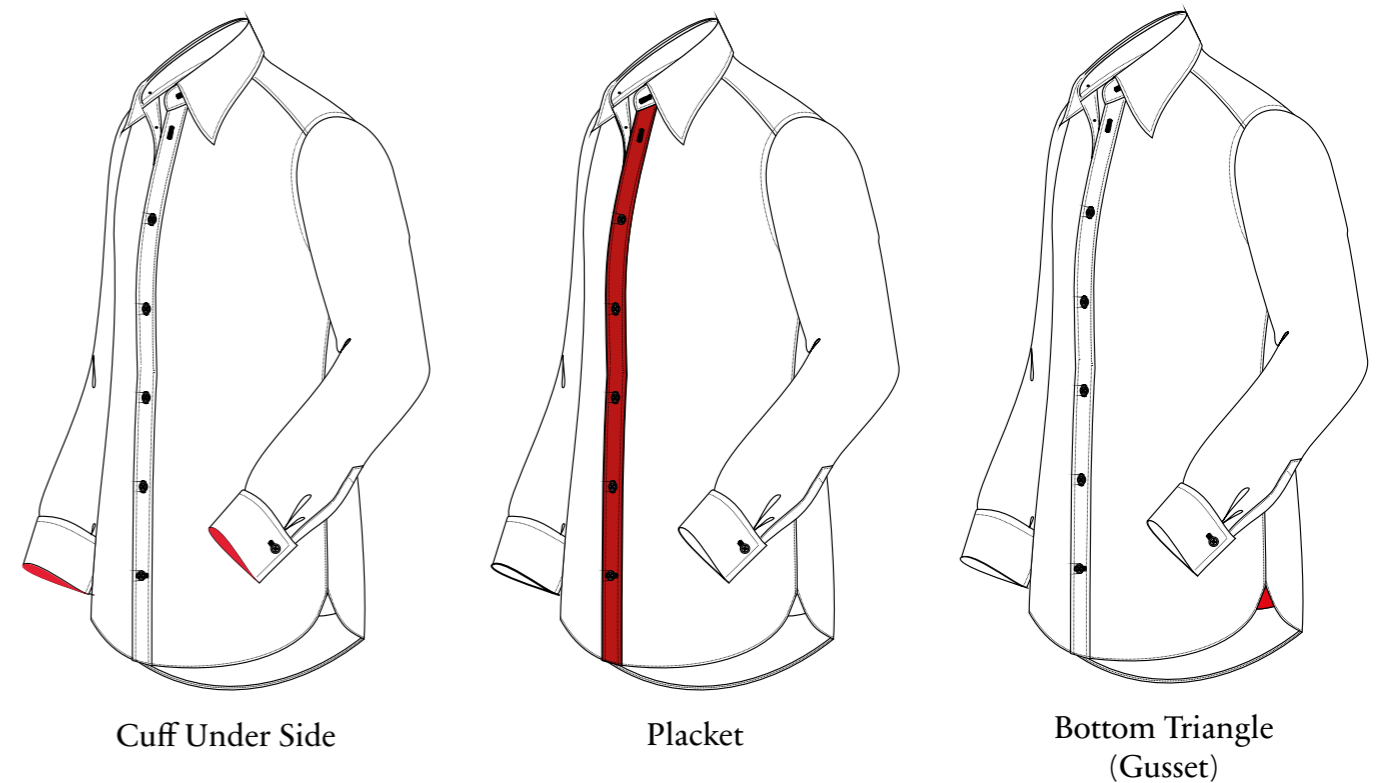
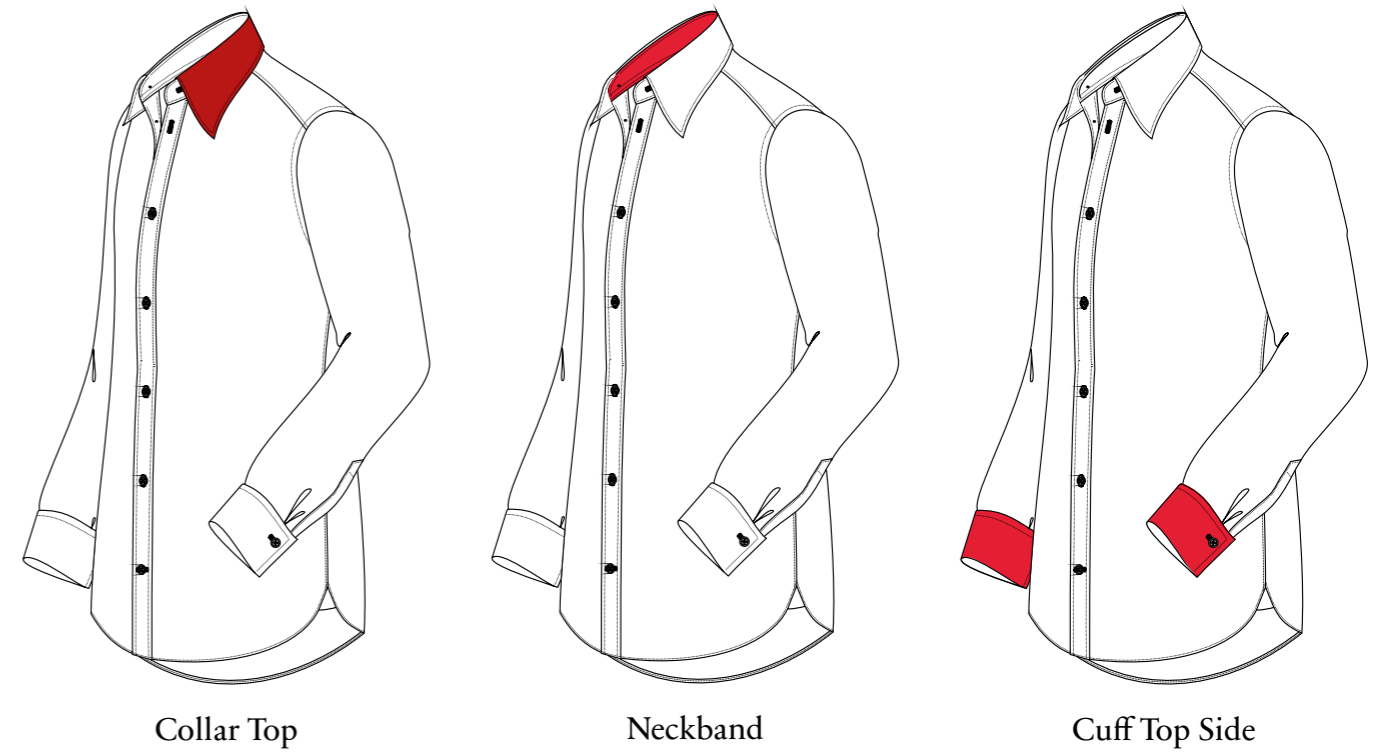
*Colours are for guidance only*

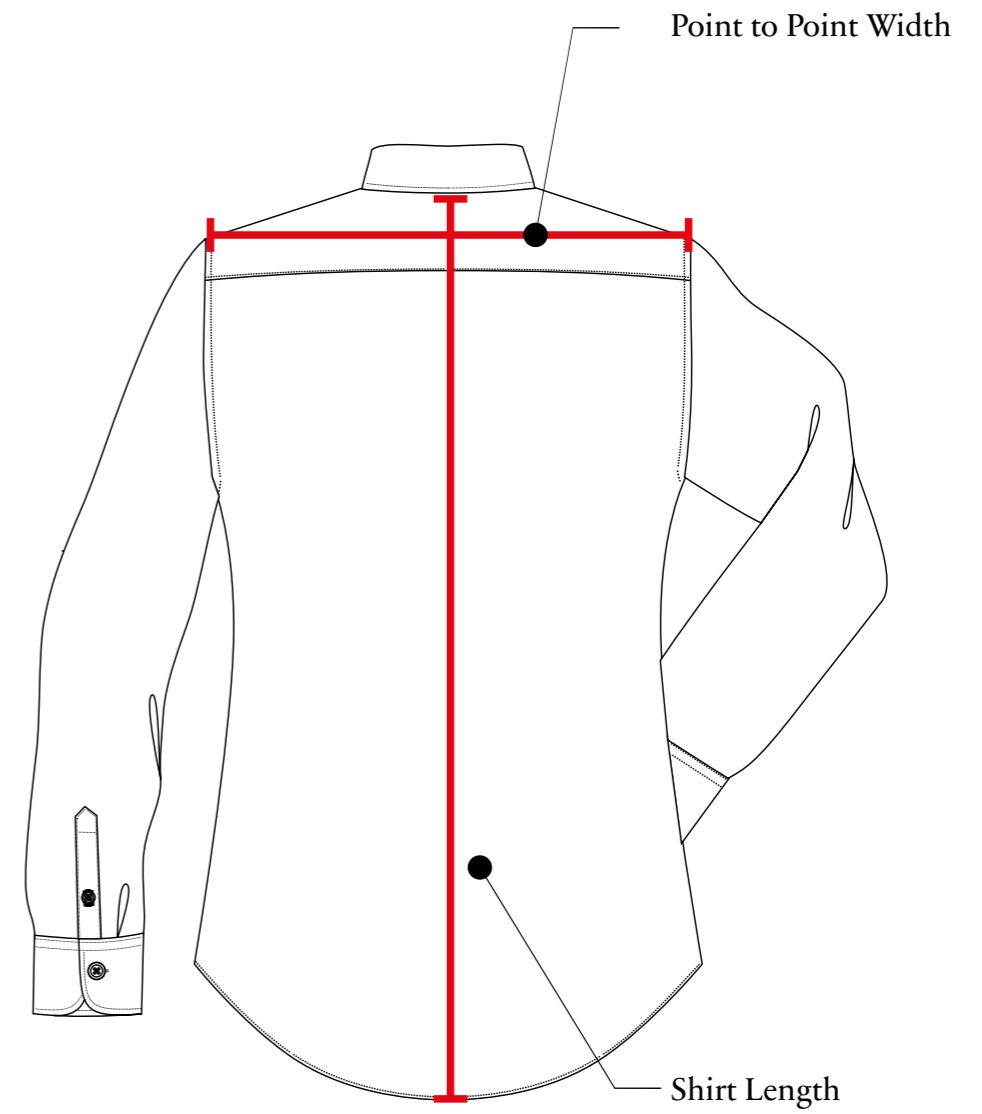
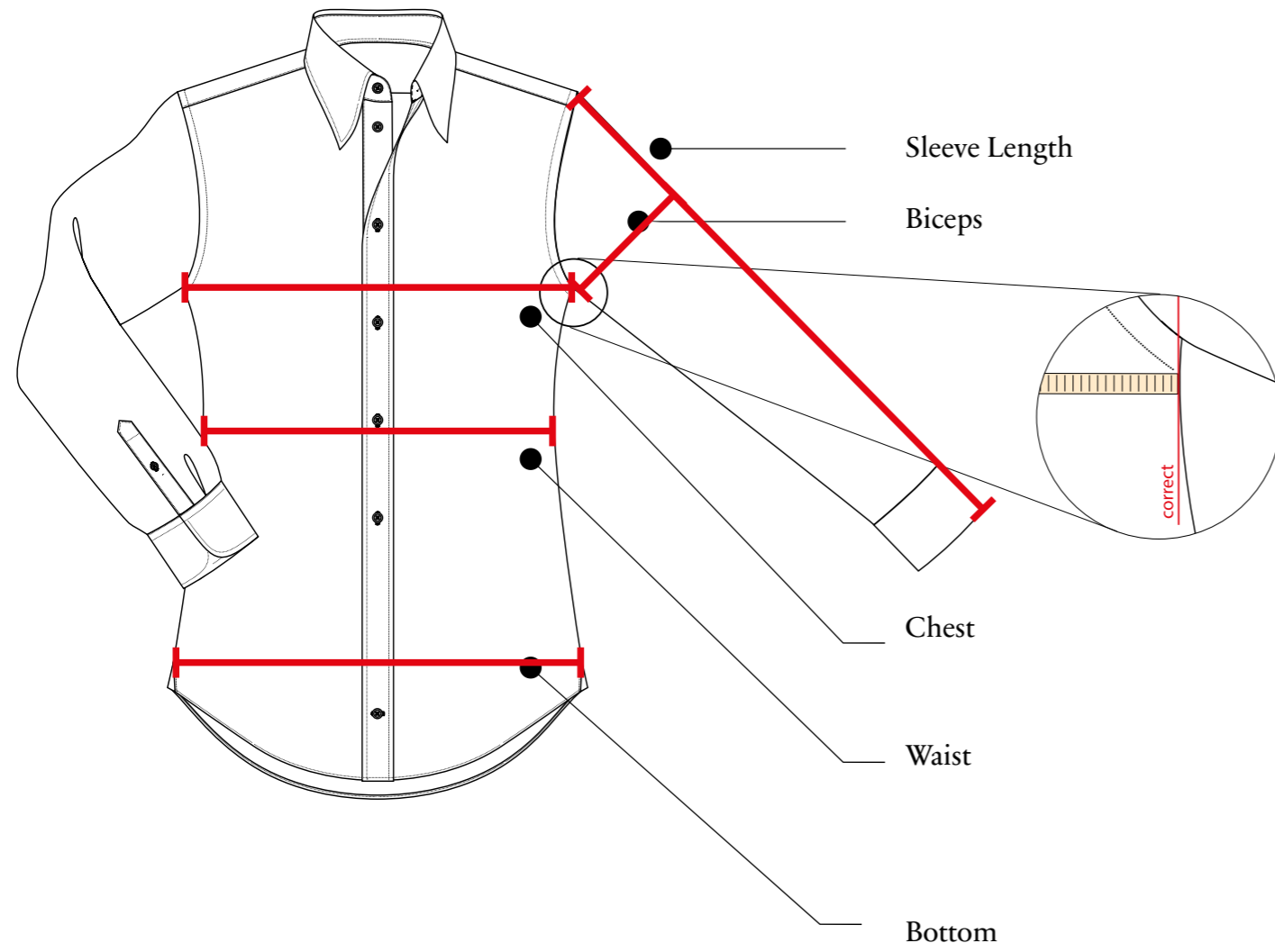
*Colours are for guidance only*



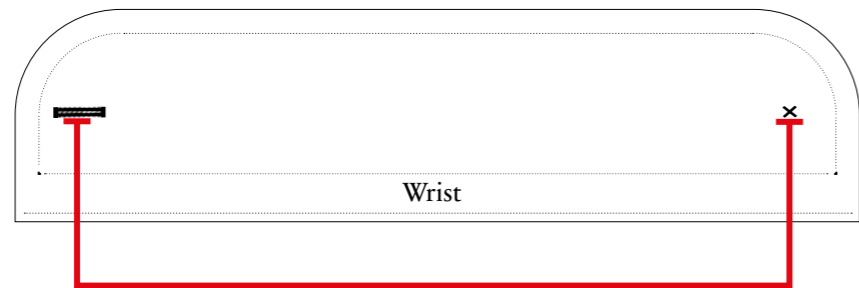
*AB*  
Handwriting

**AB**  
Block

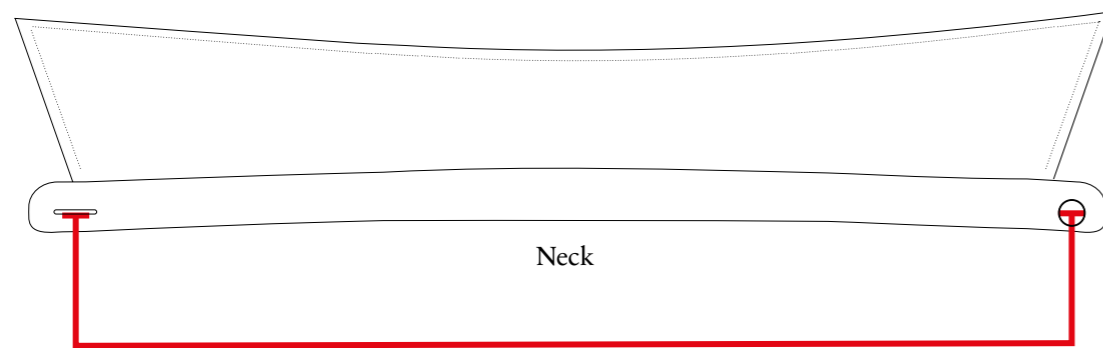




All measurements to be given in centimetres (cm)



Measure middle of button  
to middle button hole



Measure middle of button  
to middle button hole

