

SHIRTS



The process of shirt-making requires precision and experience. Every detail on the shirt from the sleeve, collar and cuffs, as well as the button holes and embroidery use hand cut processes to ensure quality and precision of fit.

An extensive range of collars, cuffs, fabrics and pleats provides unlimited opportunities to create an individual style.

<i>Page 1</i>	Shirt Sleeve Styles
<i>Page 2</i>	Shirt Fit Styles
<i>Page 3</i>	Back Style Options
<i>Page 3</i>	Epaulettes & Sleeve Straps
<i>Page 4</i>	Shirt Hem Styles
<i>Page 5 — 6</i>	Collar Style Options
<i>Page 7 — 9</i>	Cuff Style Options
<i>Page 9 — 10</i>	Number of Pockets & Style Options
<i>Page 11</i>	Front Style Options
<i>Page 12</i>	Dress Shirt Front Style Options
<i>Page 13</i>	Button Hole & Button Thread Colours
<i>Page 14</i>	Embroidery Colour Options
<i>Page 15</i>	Embroidery Style & Positioning Options
<i>Page 16</i>	Contrast Fabric Positions
<i>Page 17 — 19</i>	How to Measure



Long Sleeve



Short Sleeve



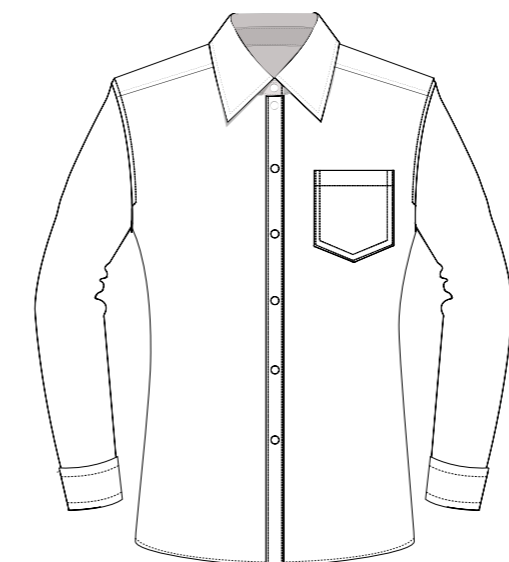
Regular Fit

+12cm chest
Body Measurements



Slim Fit

+11cm chest
Body Measurements

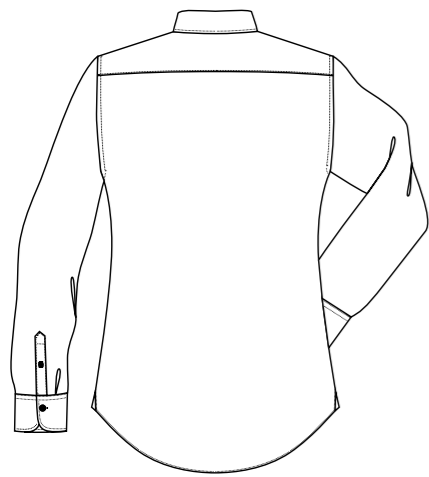


Very Slim Fit

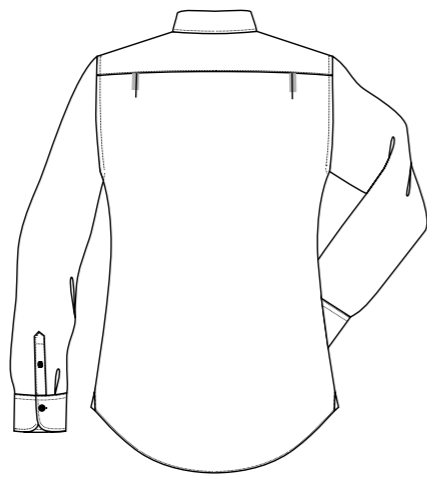
+10cm chest
Body Measurements

Back Style Options

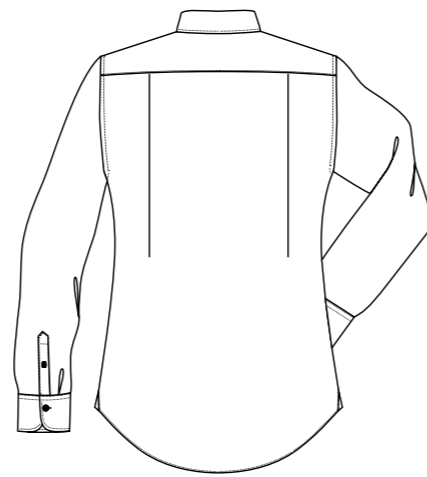
3



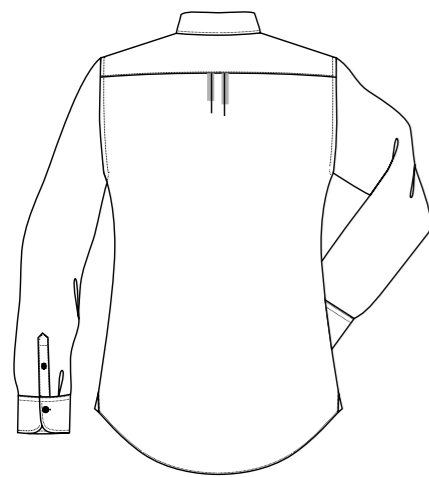
Plain



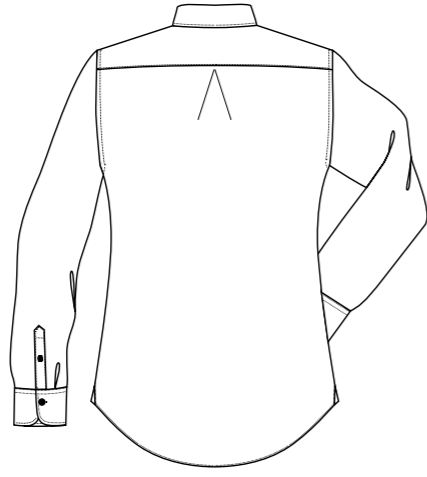
Side



Back Darts



Box

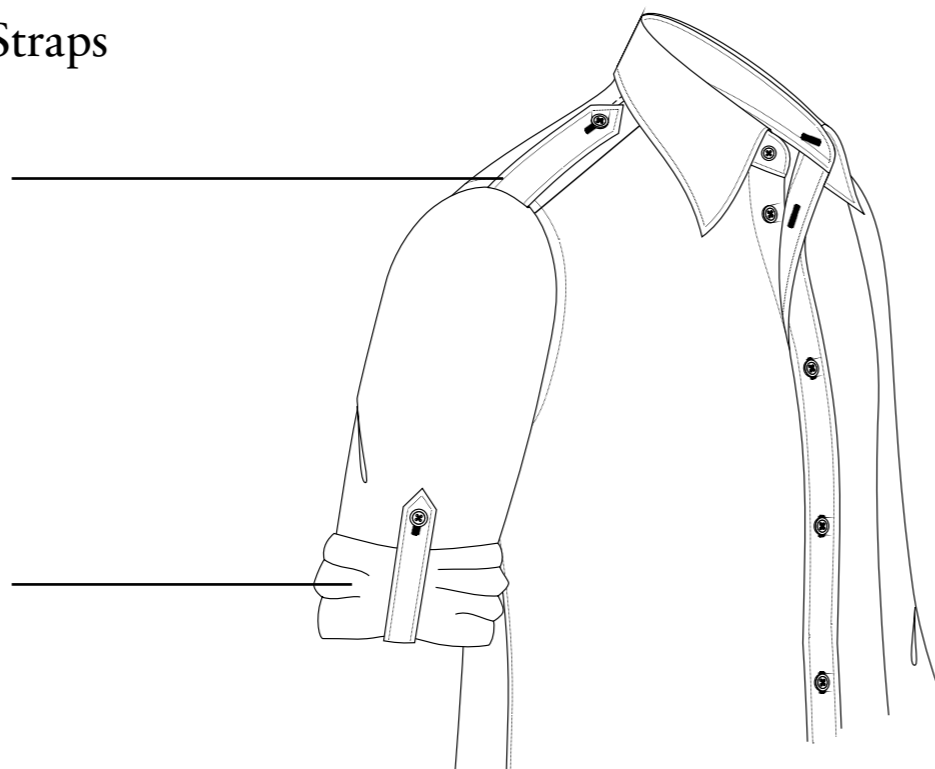


Inverted

Epaulettes & Sleeve Straps

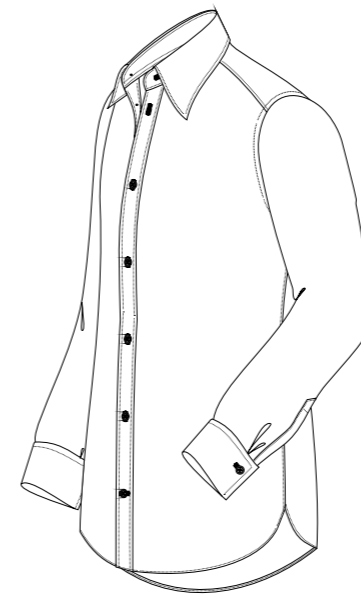
Shoulder Strap

Strap for raising the sleeve



Shirt Hem Style

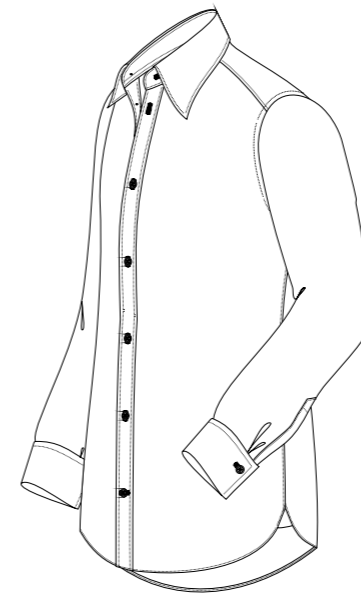
4



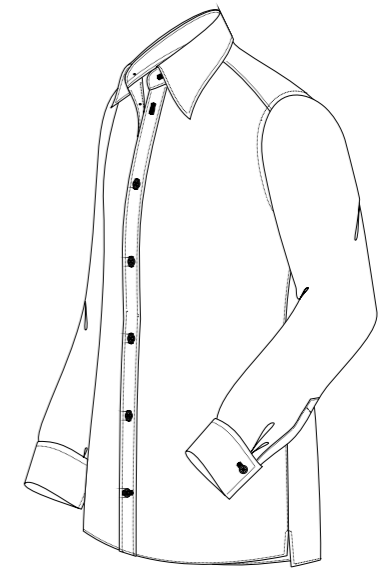
Round Bottom



Straight Bottom



Round Bottom
with triangle



Straight Bottom
with vents

Collar Style Options

5



French Collar
YO7

Collar Stand	2.5cm
Collar Point	7cm
Collar Depth	4cm



American Collar
Y30

Collar Stand	2.7cm
Collar Point	8cm
Collar Depth	4cm



Italian Collar
Y02

Collar Stand	2.5cm
Collar Point	8cm
Collar Depth	4cm



Neapolitan
Y26

Collar Stand	3.2cm
Collar Point	9cm
Collar Depth	5cm



Small Round Collar
Y15

Collar Stand	2.5cm
Collar Point	7cm
Collar Depth	4cm



Small Straight Collar
Y18

Collar Stand	2.5cm
Collar Point	6.5cm
Collar Depth	3.5cm



Wing Collar

Collar Stand	4cm
Wing	5.5cm



Granddad Collar

Collar Stand	3cm
Collar Depth	3cm



Concealed Button Down

Collar Stand	2.7cm
Collar Point	8cm
Collar Depth	4cm



English Tab Collar
Y09

Collar Stand	2.5cm
Collar Point	7cm
Collar Depth	4cm



Cut Away Collar
Y32

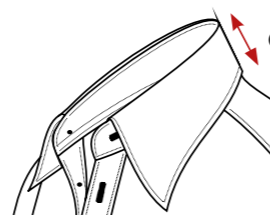
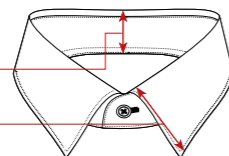
Collar Stand	3.2cm
Collar Point	9cm
Collar Depth	4.5cm

Collar Elements

Collar Adjustments +/- 2cm's

Collar Stand

Collar Point



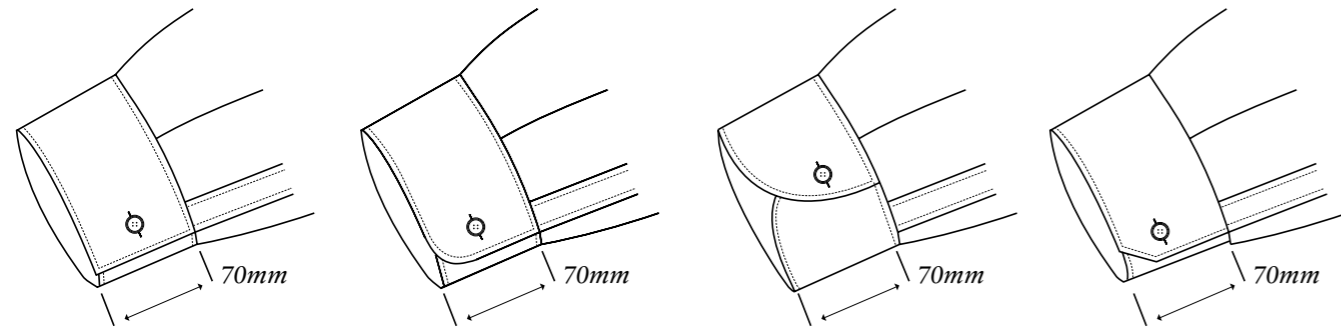
Collar Depth

6

Long Sleeve Cuff Style Options

7

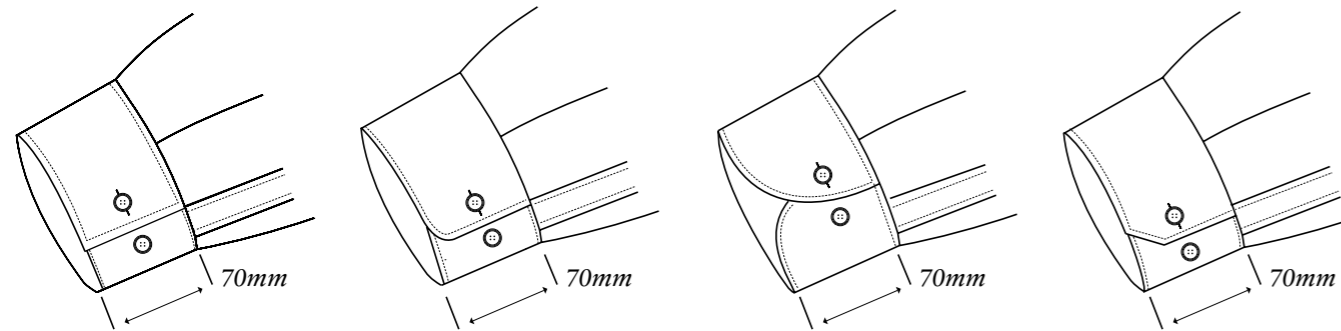
Cuff Adjustments +/- 2cm's



M1 Square One Button Fastening	M2 Rounded One Button Fastening	M3 Highly Rounded One Button Fastening	M4 Angled One Button Fastening
---	--	---	---

Adjustable Button on Cuff

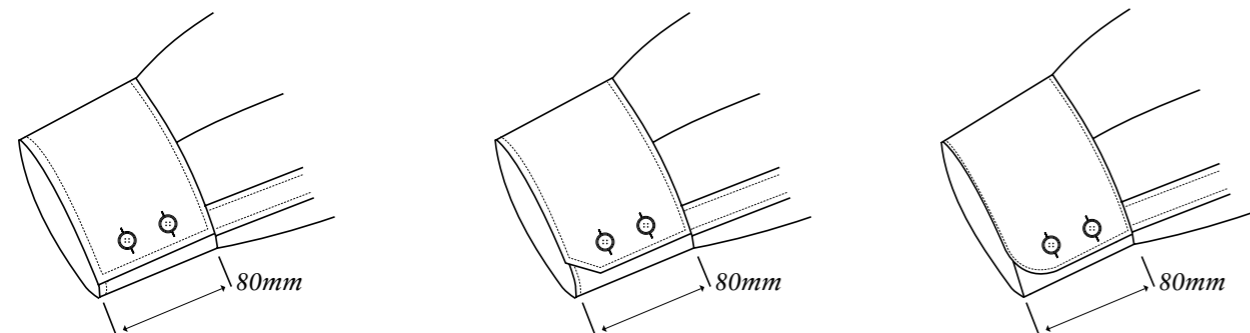
Cuff Adjustments +/- 2cm's



M1A Square Adjustable Button	M2A Rounded Adjustable Button	M3A Highly Rounded Adjustable Button	M4A Angled Adjustable Button
---	--	---	---

Long Sleeve Cuff Style Options

Cuff Adjustments +/- 2cm's

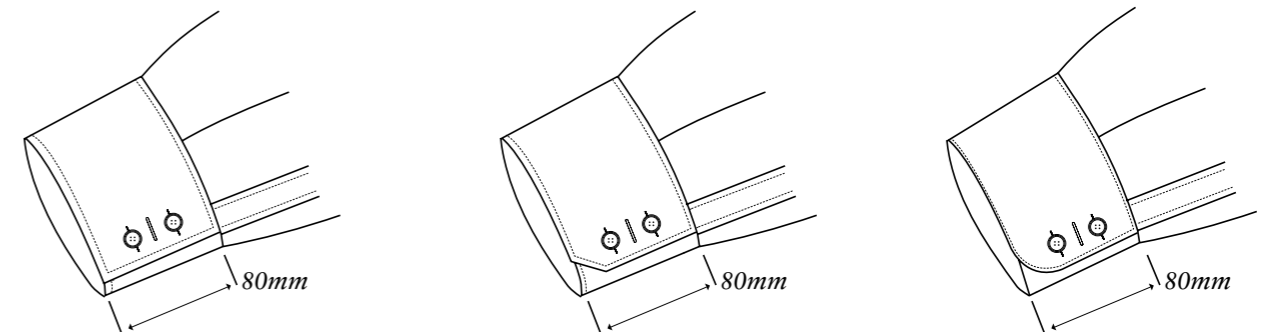


M7 Square Two Button Fastening	M8 Angled Two Button Fastening	M9 Rounded Two Button Fastening
---	---	--

Two Button with Cufflink Button Hole

8

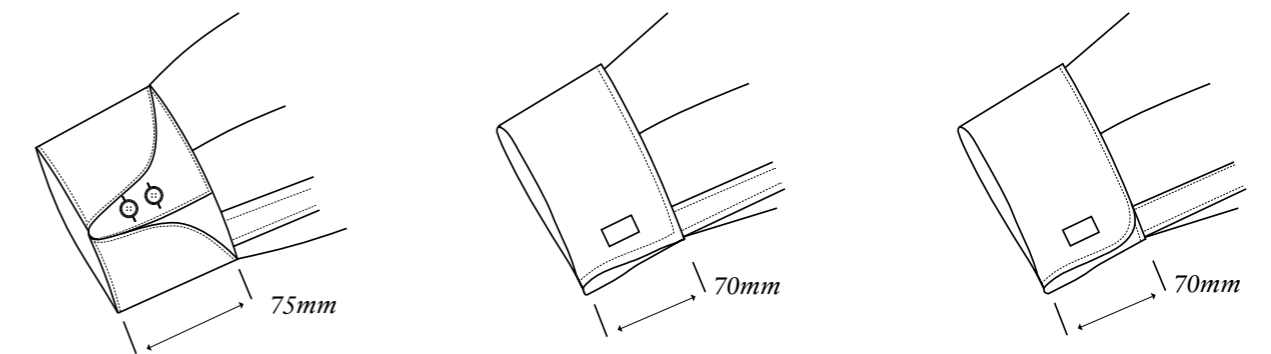
Cuff Adjustments +/- 2cm's



M17 Square Two Button with Cufflink Button Hole	M18 Angled Two Button with Cufflink Button Hole	M19 Rounded Two Button with Cufflink Button Hole
--	--	---

Double Cuff Style Options

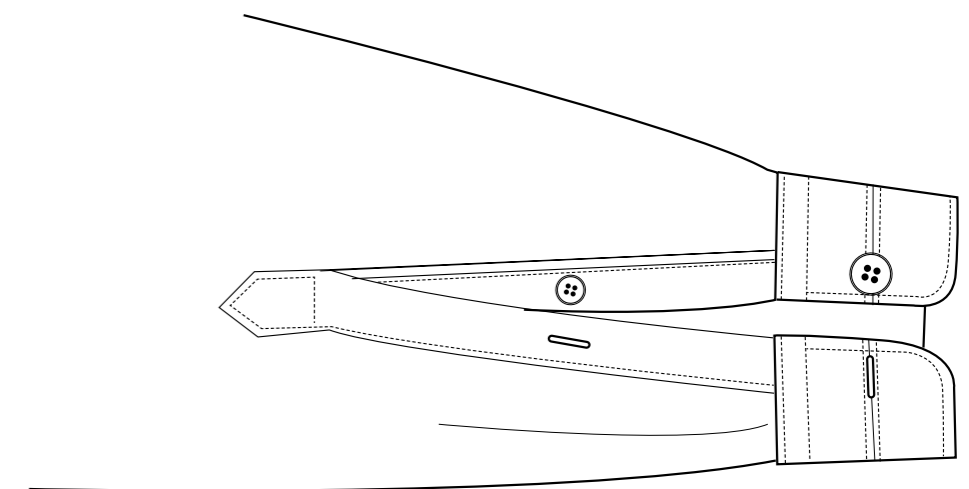
Cuff Adjustments +/- 2cm's



M13 Cocktail Cuff	M10 Square Double	M11 Round Double
-----------------------------	-----------------------------	----------------------------

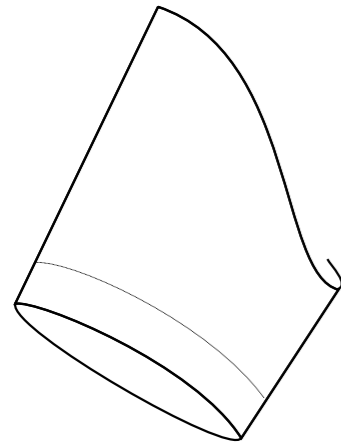
Sleeve Vent and Button

Option; Cuff vent with no button



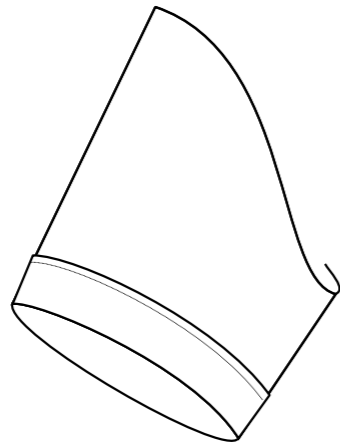
Short Sleeve Cuff Style Options

9



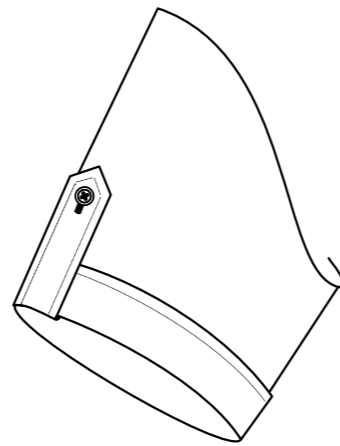
SL01

Plain Sleeve Hem



SL02

Raised Sleeve Hem
5mm Stitch



SL03

Raised Sleeve Hem
5mm Top Stitch with Strap / Apolet

Number of Pockets



Without Pockets



1 Pocket
Left Side
(As worn)



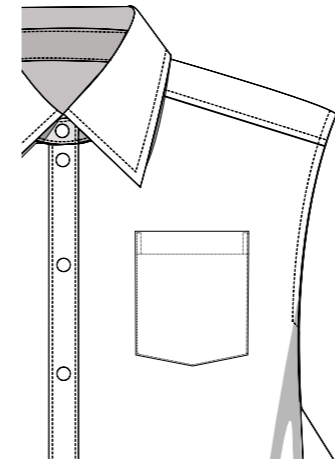
Two Pockets



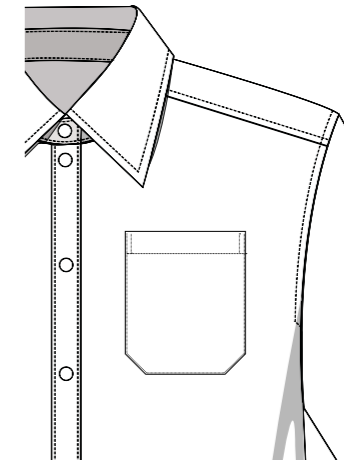
1 Pocket
Right Side
(As worn)

Pocket Style Options

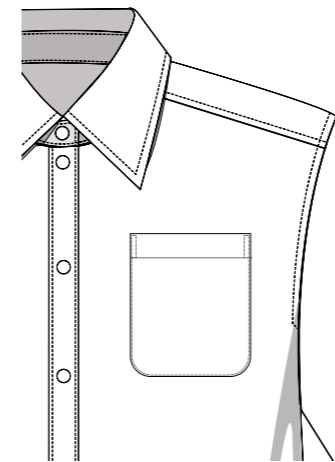
10



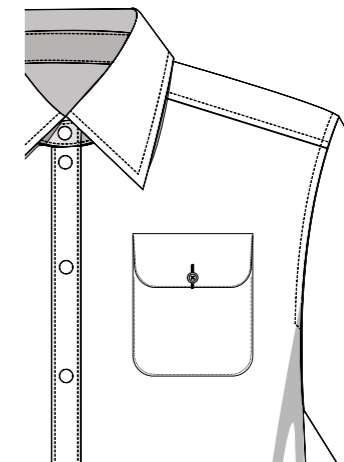
Patch Pocket
Diamond



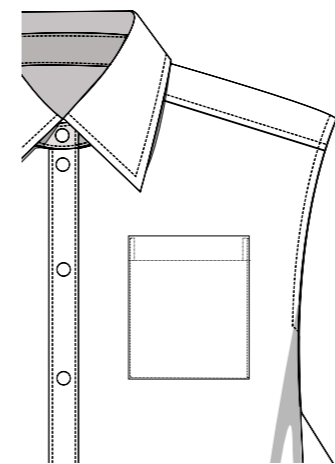
Patch Pocket
Angled



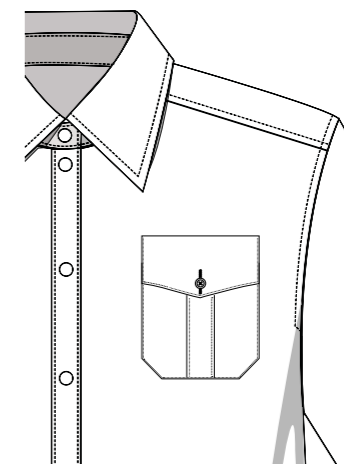
Patch Pocket
Round



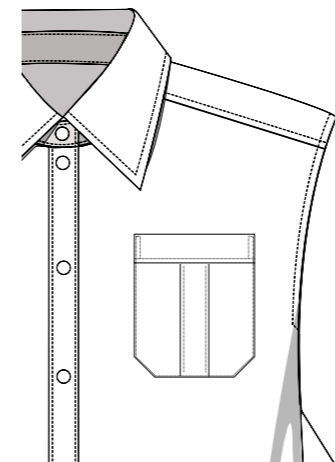
Patch Pocket with Flap



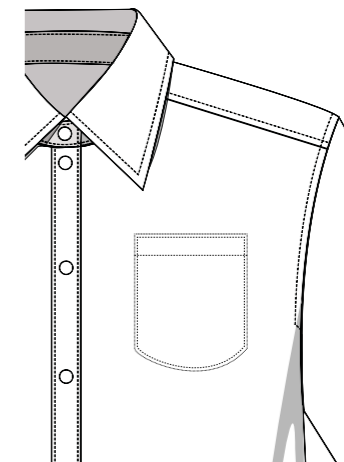
Patch Pocket
Square



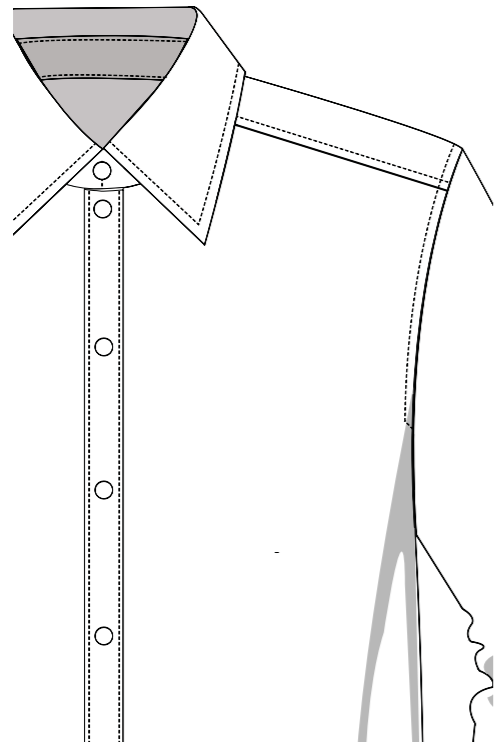
Slanted Pocket with
Middle Pleat and Flap



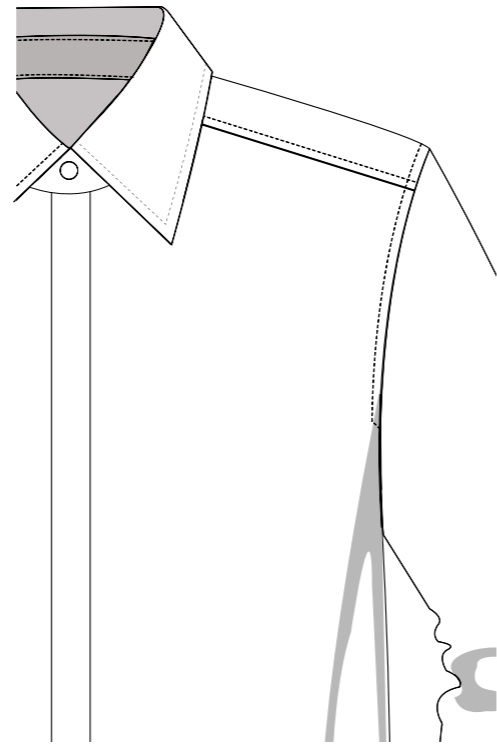
Patch Pocket
Angled with Middle Pleat



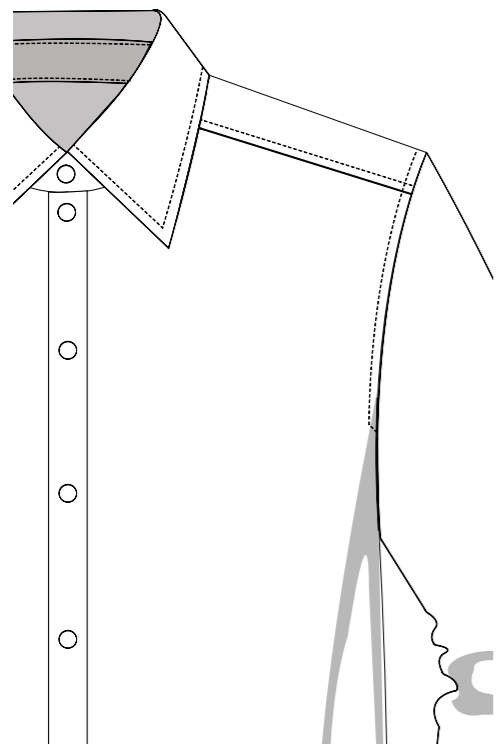
Pocket Cornered



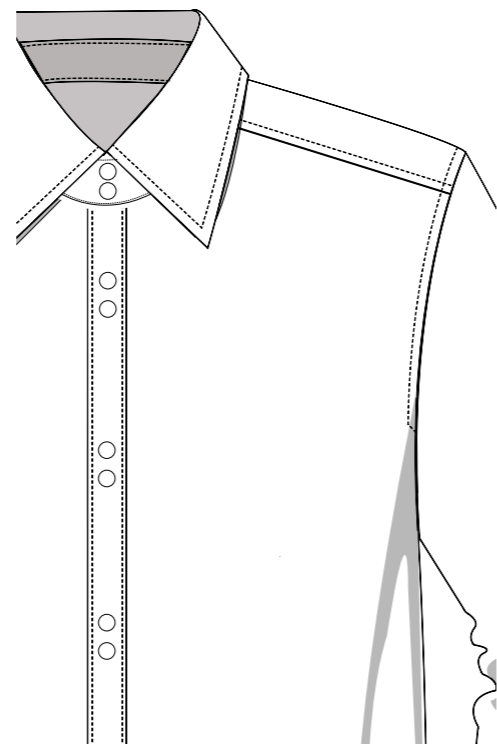
P1
Raise Placket



P2
Fly Placket



P3
Plain Placket



P4
Raise Placket Double Button Fastening



Tuxedo Pleats



3/4 Quarter Tuxedo Pleats



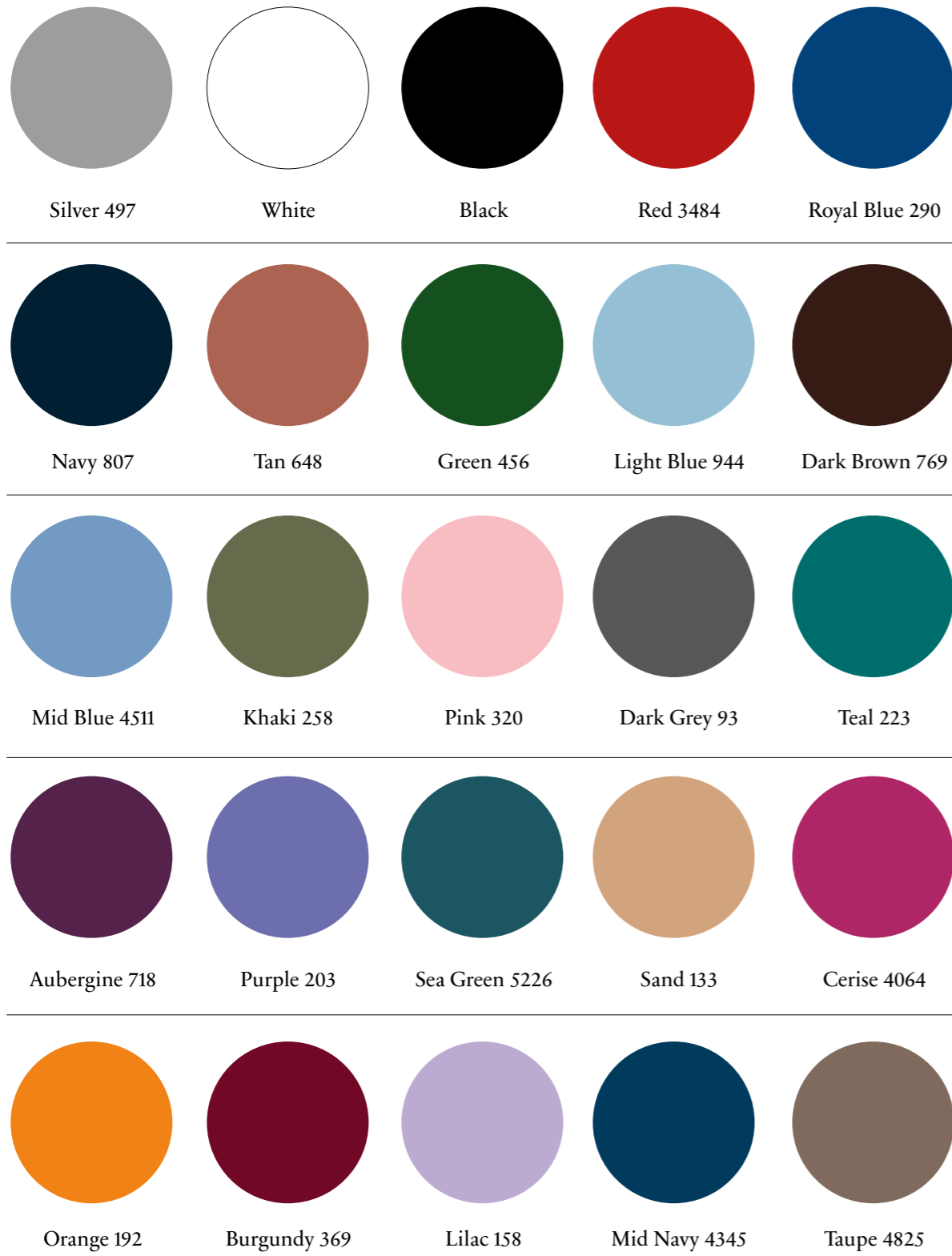
Marcella Front



3/4 Quarter Marcella Front

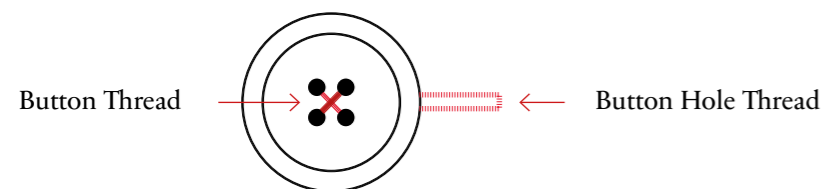
Button Hole & Button Thread Colour Options

13



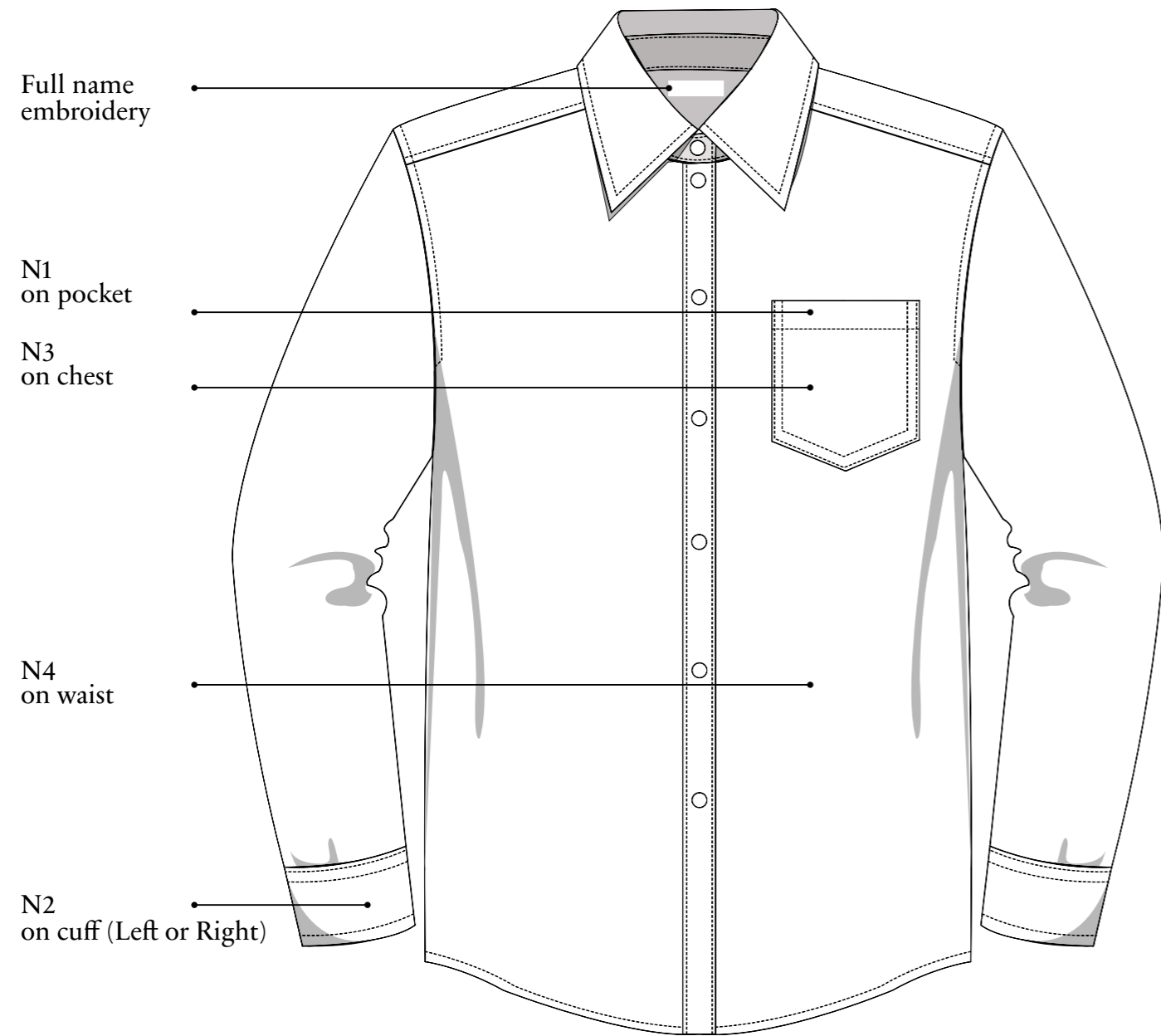
Embroidery Colour Options

14

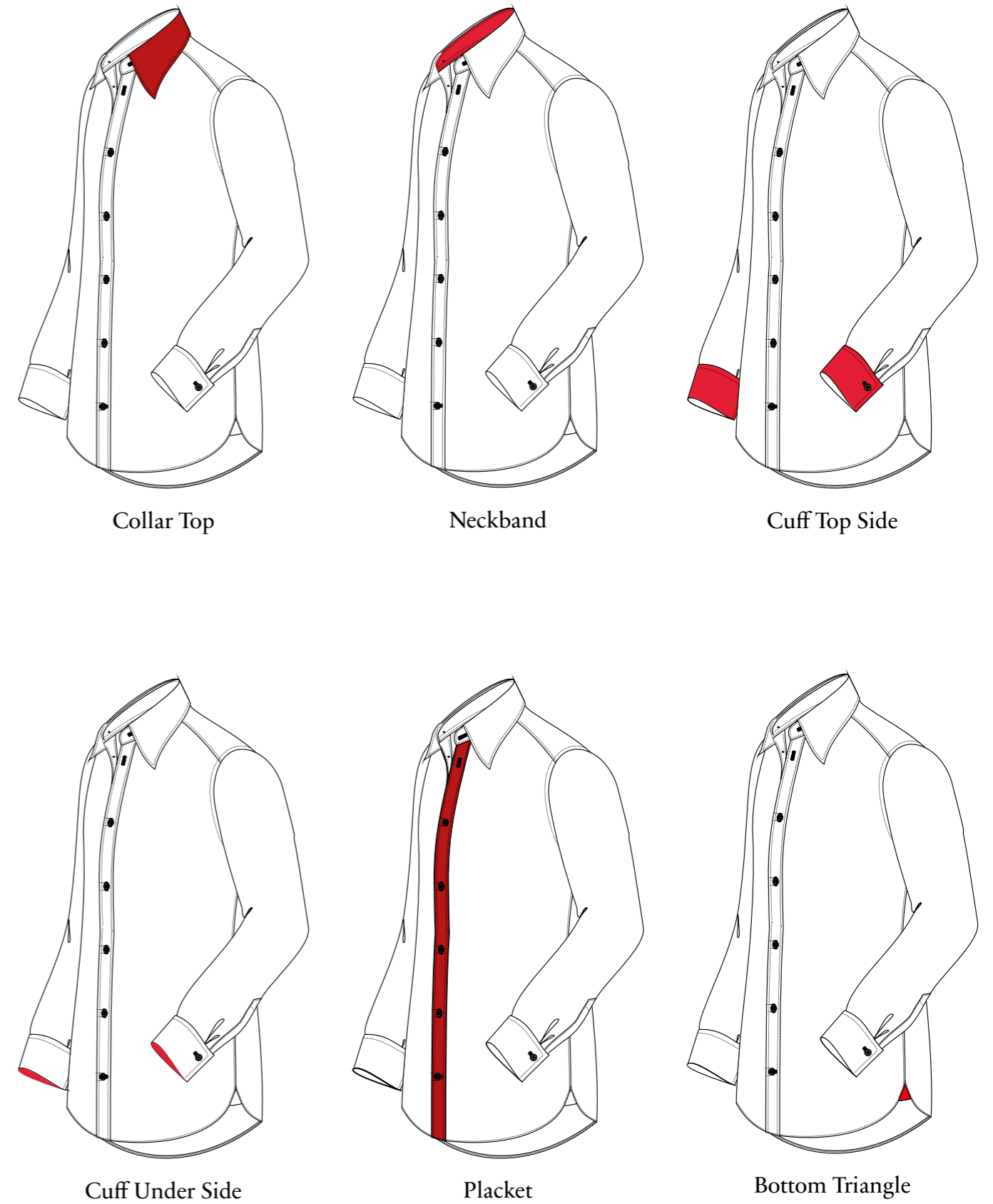


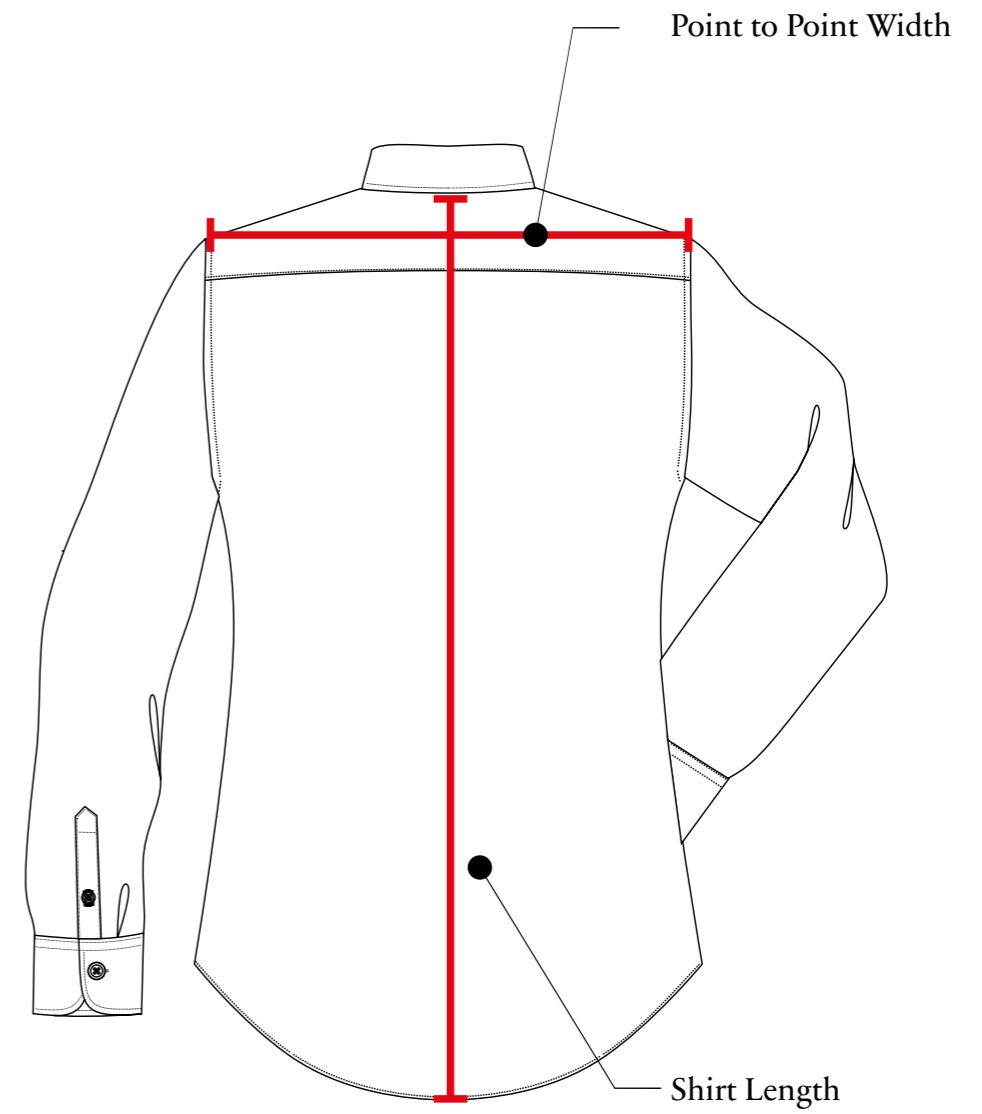
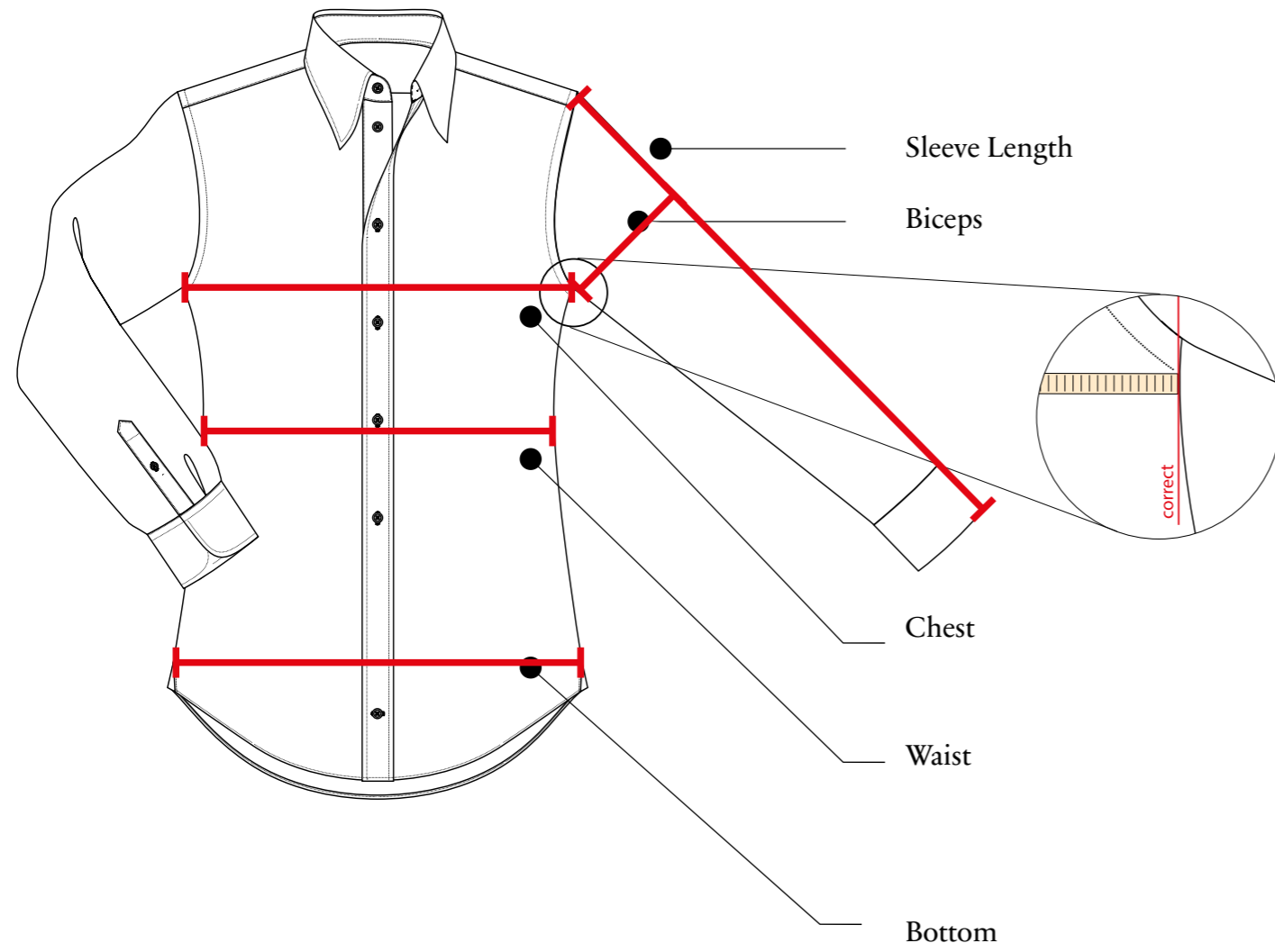
Colours are for guidance only

Colours are for guidance only

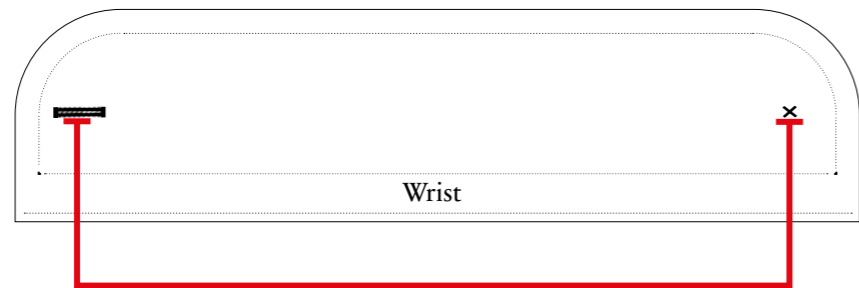


AB **AB**
Handwriting Block

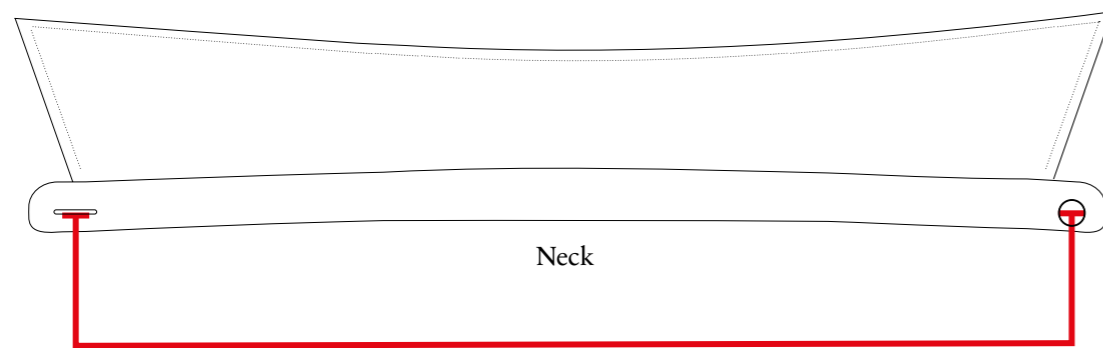




All measurements to be given in centimetres (cm)



Measure middle of button
to middle button hole



Measure middle of button
to middle button hole

