

COUNTRY AND HIGHLAND WEAR

Our garments are at the forefront of
country life with tailoring designed to
be worn for a lifetime.

COUNTY JACKET

The below is the standard jacket specification
and is the starting point for your garment.



SB2

2CJ

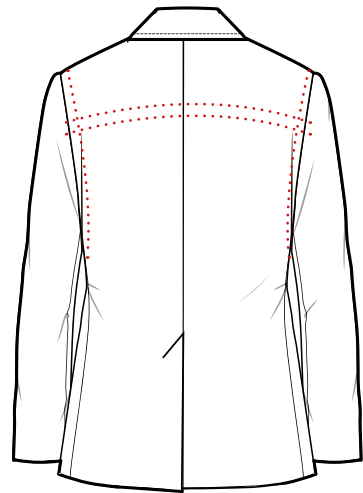
SB3

7CJ

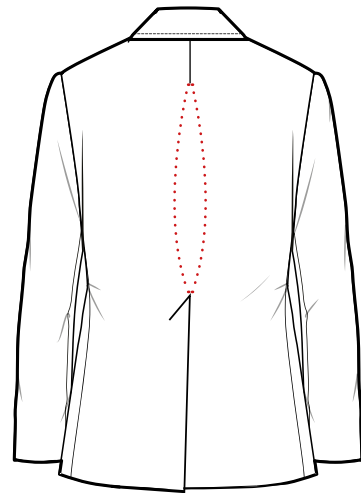
SB4

4CJ

BACK STYLE OPTIONS

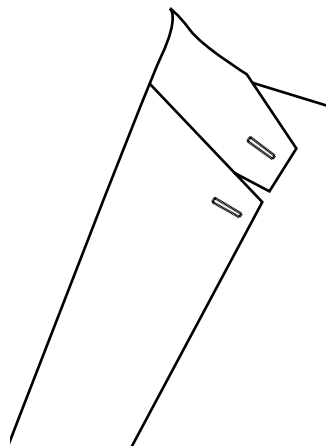


Action Shoulders with
Internal Elastic

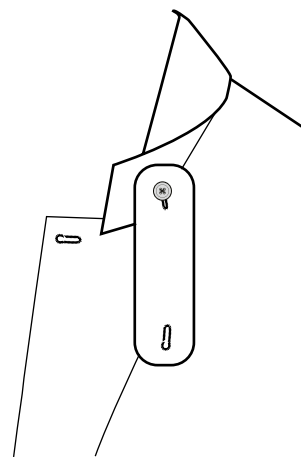


Action Back with
Inverted Pleat

STORM COLLAR OPTIONS



Tab Collar
Grown on Tab & Button
Only available on notch lapels



Detachable Storm Collar



ACTION SHOULDERS
Designed to ensure you have
movement throughout your day.



INTERNAL POCKET OPTIONS
- Right In-Breast Triangle Tab & Button.
- Left In-Breast Jet onto Lining.
- Hare Pocket.



POCKETS
Bellows with flap (as shown) choice of
6cm or 9cm deep pocket flap. Optional
additional button to hold flap open.



GUN PATCH
Choose from our Alcantara selection



HALF BELT
Sewn on half belt- available on action
shoulders & pleated back

COUNTRY WEAR
PLUS TWOS



The below is the standard specification and is the starting point for your garment.

Plain Fronts as Standard

Pointed Extension Waistband with Hole and Button

Belt Loops & Slant Side Pockets with 1 Back Hip Pocket

Zip Fly & French Bearer

Velcro below the Knee Fastening

Fully Lined Front & Back

COUNTRY WEAR
PLUS FOURS



The below is the standard specification and is the starting point for your garment.

Single Reverse Pleat as Standard

Pointed Extension Waistband with Hole and Button

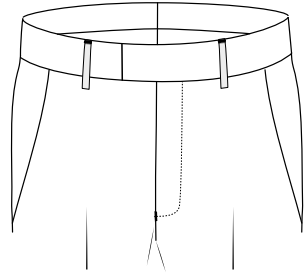
Belt Loops & Slant Side Pockets with 1 Back Hip Pocket

Zip Fly & French Bearer

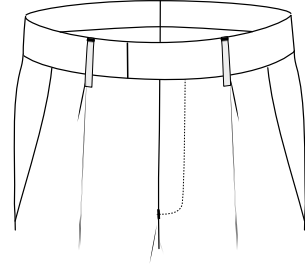
Velcro below the Knee Fastening

Fully Lined Front & Back

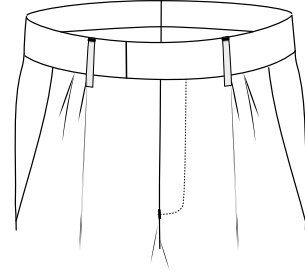
PLEATS



Plain Fronts
Standard on Plus 2

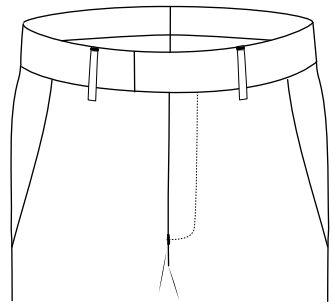


Single Reverse Pleat
Standard on Plus 4
Option Forward Pleat

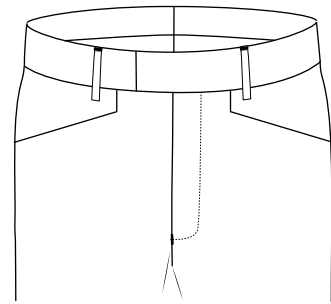


Double Reverse Pleats
Option Forward Pleats

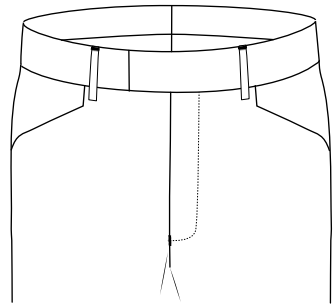
POCKETS



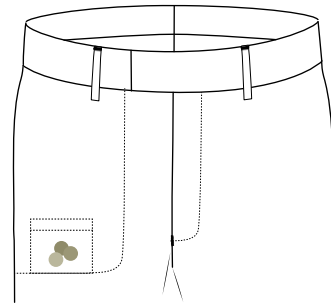
Slant Side Pocket



Dropped Welted Cross Pocket
Plain Front Only

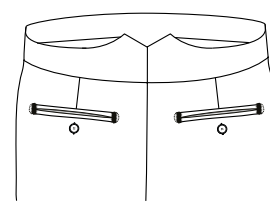


Frog Mouth Side Pocket
Plain Fronts Only

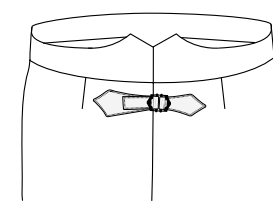


Right Side Internal Coin Pocket

WAISTBAND



Peak Back Waistband



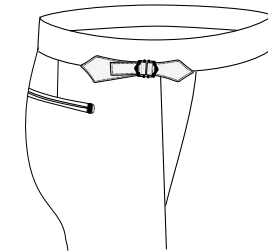
Peak Back with Strap
and Buckle



Strap & Buckle
Adjusters into waistband

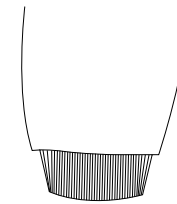


Tab & Button Elastic
Side Adjusters

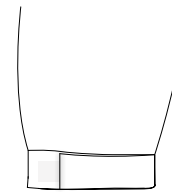


Pointed Strap & Buckle
with overlapping adjuster

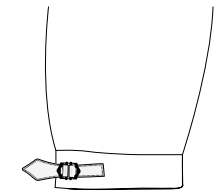
BELOW THE KNEE FASTENING



Knitted Cuff



Velcro
Standard



Leather Strap & Buckle

COUNTRY WEAR

GILET

The below is the standard specification and is the starting point for your garment.



1CG
V Neck Gilet
Four Button Front



1CGZ
Zip Fastening



1CGN
Nehru Collar Gilet
Six Button Front



ADD ON A GUN PATCH
Choose from our Alcantara selection.
Options left, right or both.

Measuring your Gilet length

Place the tape at the nape of neck and bring around tight against the collar and down to the length required.

Please note:
Do not state a back length measurement (i.e. as requested for a jacket length) if you do your garment will be too short.

POCKET STYLE OPTIONS



Half Moon Bellows Pocket
Standard



Bellows Pocket with flap
Bellows with flap choice of 6cm or 9cm deep pocket flap. Optional additional button to hold flap open.



Welted Pocket



Handwarmer Pocket

BACK STYLE OPTIONS



Standard Plain Back



Half Belt



Half Belt with Button & Tab



Button & Tab